

## DATASHEET

### XS4 CODE LOCKER

The XS4 Code Locker provides a convenient solution for many different lockers, cabinets, boxes etc. Achieve simple access through the keypad, without the need for a network connection. Codes can be assigned and can be active for a specified time period. It is easy to install and can be programmed via your mobile phone.

The battery pack, electronic components and the locking mechanism are all located on the inside of the door to prevent vandalism and sabotage.

[www.saltosystems.com](http://www.saltosystems.com)

### XS4 CODE LOCKER LK50

**SALTO**  
inspired access



**TECHNICAL DATA:**

Outside cover measures:	55 mm x 139mm x 29 mm.
Inside cover measures:	100mm x 110mm x 25mm
Door thickness:	10mm up to 50mm, adaptable on site.
Deadbolt projection:	15mm
Power source:	3 alkaline batteries (LR03 AAA 1,5V). Optional 3 Lithium batteries (FR03 - AAA 1,5V).
Number of openings:	100.000*
Environmental conditions:	Temperature: -20°C** to +60°C; Humidity: 0 to 95%
Certifications:	CE
Material:	Anthracite finish PC+ABS

\* Depending on usage.  
 \*\* Temperatue down to -20°C only apply when using Lithium batteries.

**ID TECHNOLOGIES:**

**PIN CODES:**

Fixed PIN codes (up to 200 PINs stored in memory):	•
Free assignment PIN code function*:	•
Timed PIN codes*:	•
• Period codes (active for 1 to 28 days)	
• Hour codes (active for 1,2,3 or 4 hours)	

\*Only one of these functions can be enabled at a time: Free assignment PIN or Timed PIN codes.

**TECHNOLOGY PLATFORMS:**

**STAND ALONE:**

WebApp*:	•
----------	---

\*Possibility of integration to booking and third-party systems via API.

**SALTO SPACE:**

SVN data-on-card:	—
SALTO RFnet:	—
SALTO BLUEnet:	—

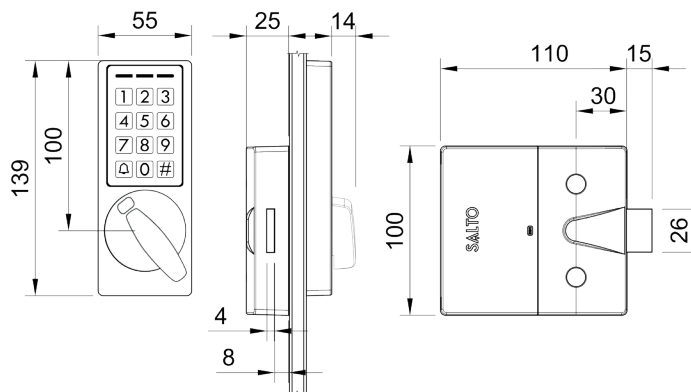
**SALTO KS:**

SALTO KS:	—
-----------	---

**SALTO SALLIS:**

SALLIS:	—
---------	---

**TECHNICAL DRAWING:**



**OPTIONS:**

**Reader colour:**

Anthracite:	•
White:	—

**OPENING MODES:**

Fixed locker:	Fixed user code to operate the locker
Shared fixed locker:	Users with different PIN codes can operate the locker
Free assignment locker:	Users can select one available locker just by entering a PIN code and release the locker by entering the same PIN code