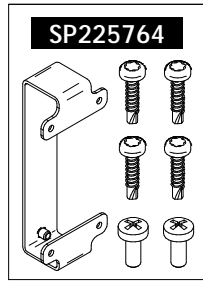
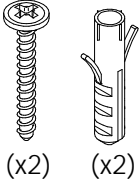


Installation guide

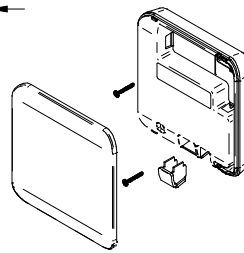
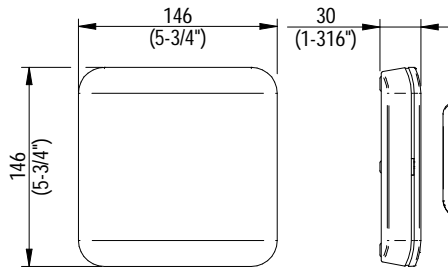
IQ2.0

SALTO
inspiredaccess

- Eng Installation guide
- E Guía de instalación
- D Montageanleitung
- F Guide d'installation
- P Guia de instalação

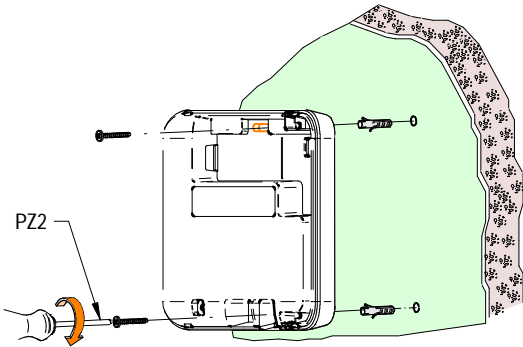


Not included/ No incluido
Nicht enthalten
Non inclus / Não incluso

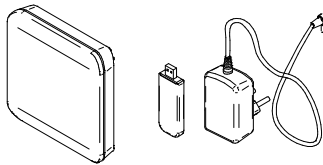


- Eng Installation
- E Instalación
- D Installation
- F Installation
- P Instalação

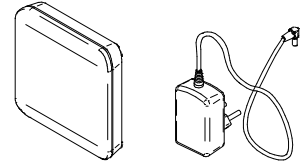
1



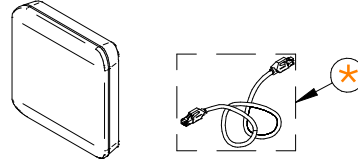
a ETHERNET + CELLULAR MODEL



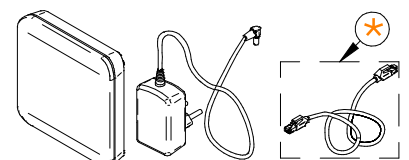
b ETHERNET + WIFI MODEL



c ETHERNET + POE MODEL

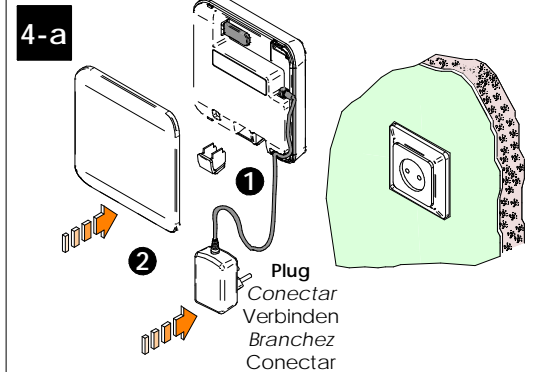
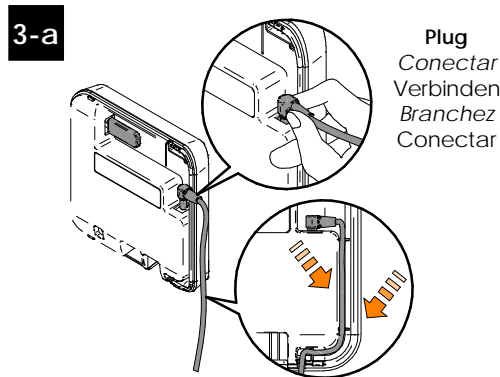
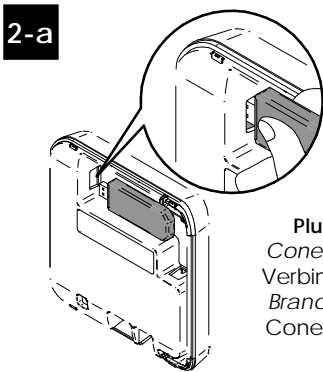


d ETHERNET MODEL

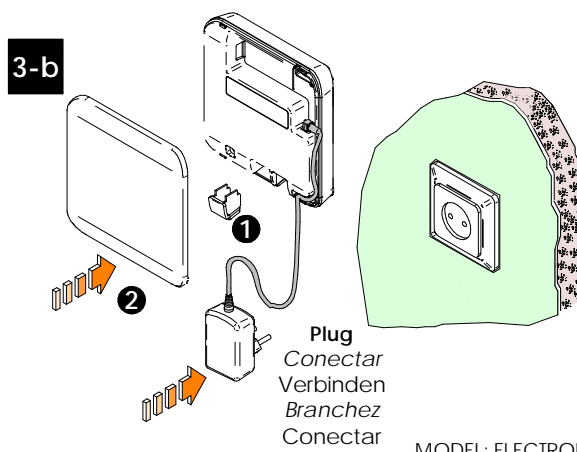
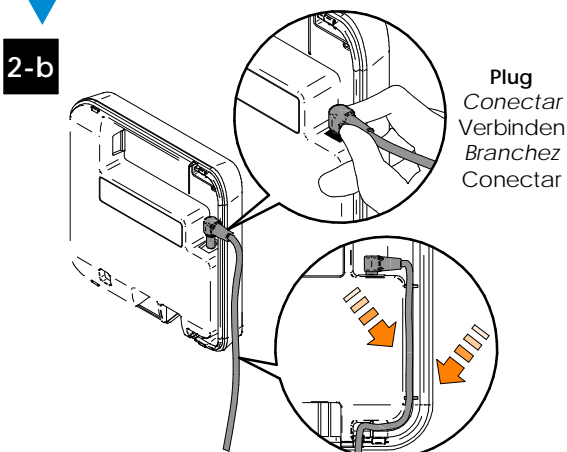


(*)Not included/ No incluido/ Nicht enthalten/ Non inclus/ Não incluso

a ETHERNET + CELLULAR MODEL



b ETHERNET + WIFI MODEL

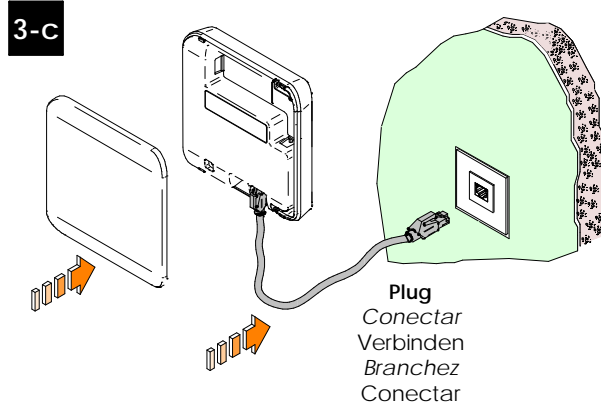
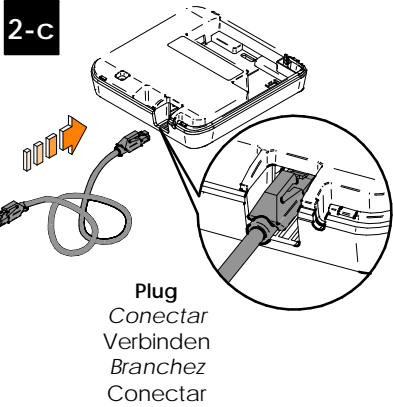


MODEL: ELECTRONIC INFO: IQ212 - IQ222 - IQ213
IQ223 - IQ214 - IQ224

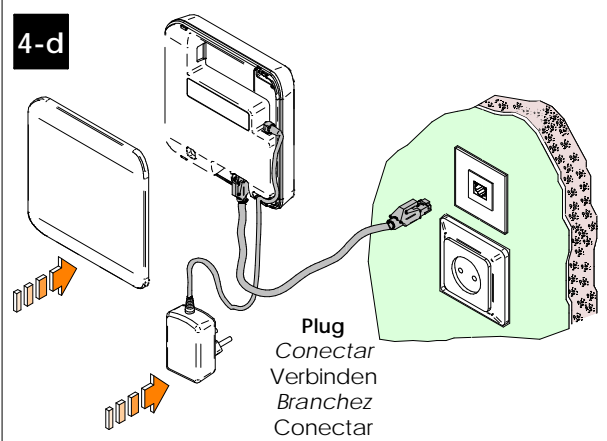
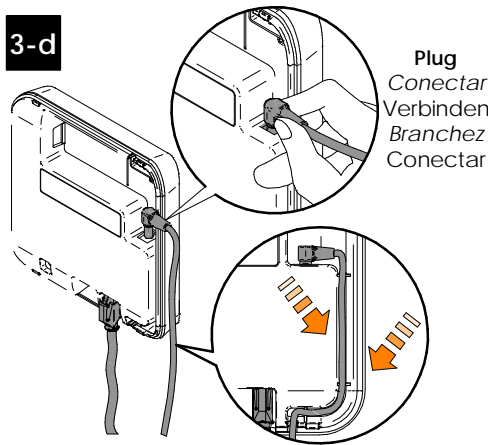
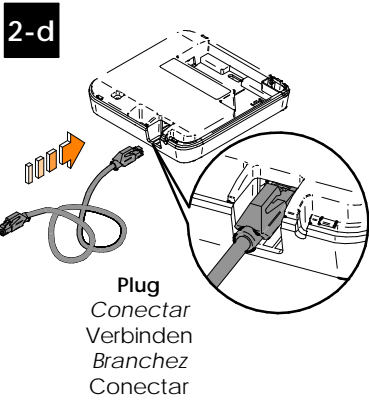
Installation guide

IQ2.0

c ETHERNET + POE MODEL

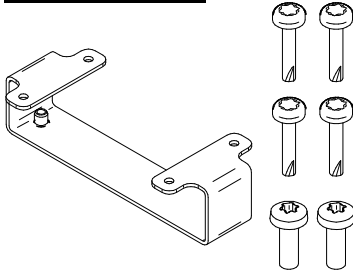


d ETHERNET MODEL



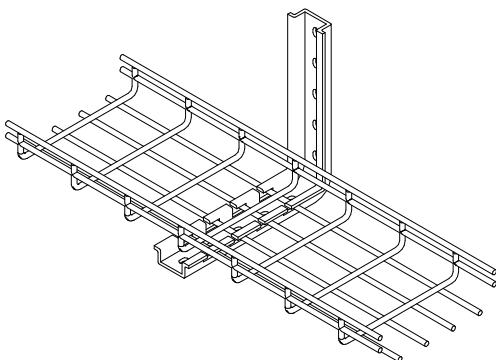
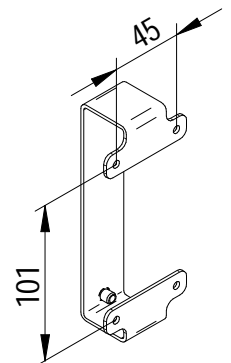
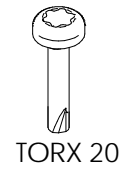
IQ 2.0 SUPPORT

SP225764

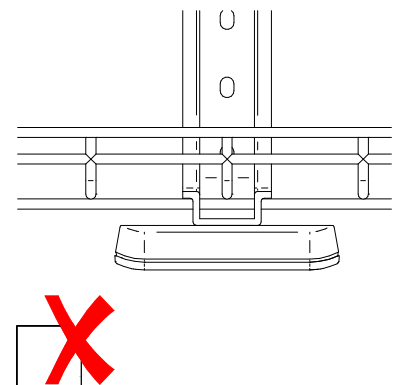
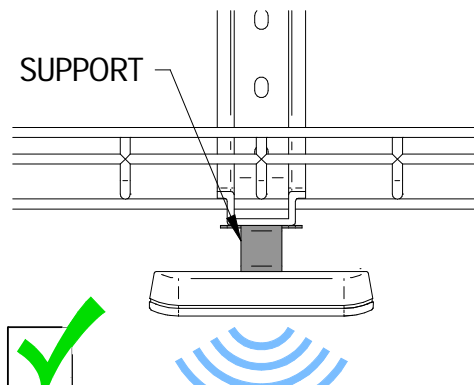


For installations on metal surfaces
 Para instalaciones sobre superficies metálicas
 Für die Montage auf Metalloberflächen
 Pour installations sur des surfaces métalliques
 Para instalações em superfícies metálicas

Not included / No incluido / Nicht enthalten / Non inclus
 Não incluso

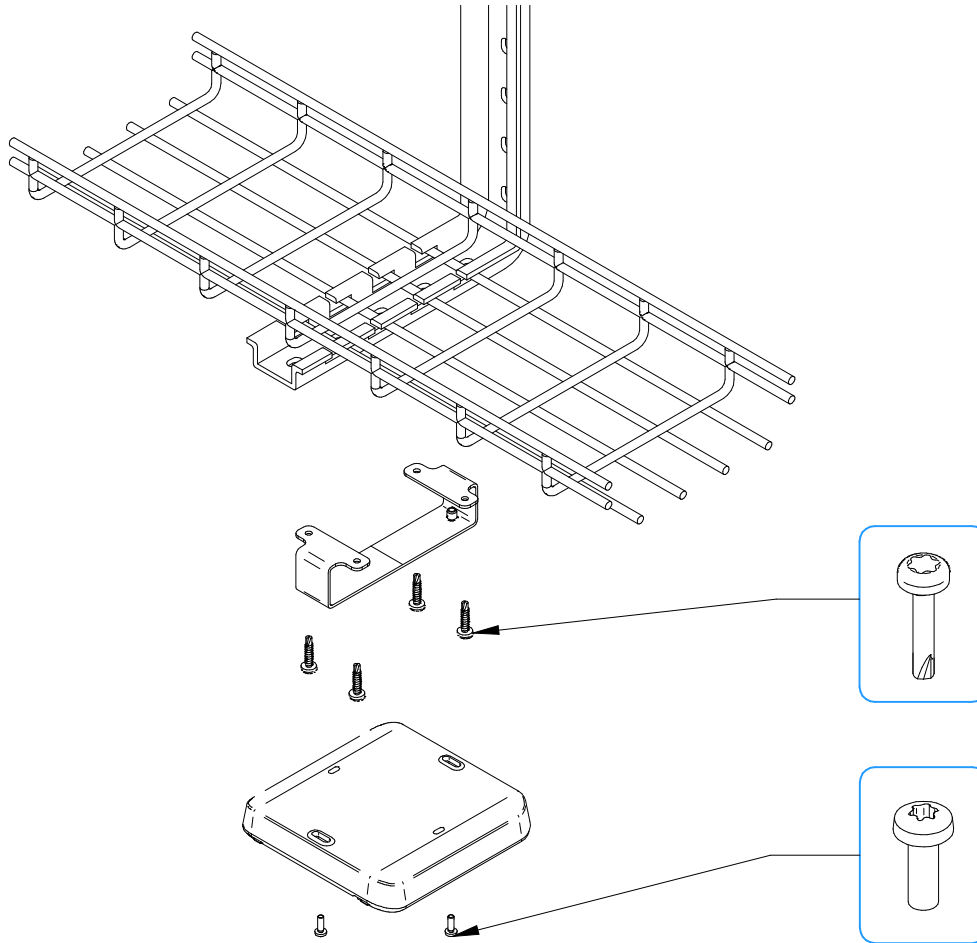


SUPPORT



IQ 2.0

1



Eng Electrical features

- E Características eléctricas
- D Elektrische espezifikationen
- F Caracteristiques electriques
- P Características eléctricas

OPERATION CONDITIONS

	Min	Max	Unit
Temperature	0	40	°C

2.4 Ghz RF CHARACTERISTICS

Frequency Range	2405-2480 Mhz (ISM band)
RF Standard	IEEE 802.15.4
Indoor Radio Range	7m*

(*) Depending upon installed environment.

POWER SUPPLY CHARACTERISTICS

(To be fed only by an official SALTO Power Supply adapter)

		Unit
Input Voltage	12	V
Max Current	800	mA

OTHER CHARACTERISTICS:

WIFI
IEEE 802.11 b/g/n radio

BLUEnet
Bluetooth 4.2 Compliant
Integrated antenna
TX power: up to +8dBm
RX sensitivity: down to -92dBm
Indoor range: 10m-15m *

(*) Depending upon installed environment.
(PoE + WIFI variant might suffer range reduction of up to 30%).

POE
The POE connection complies to IEEE 802.3af (max 15.40W, also known as 802.3a Type 1)

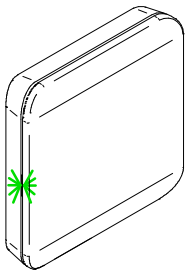
LED Signals

IQ2.0

Eng BLUENet information E Información BLUENet D BLUENet informationen F BLUENet information P Informação BLUENet

- Eng** The environment has a direct impact on the BLUENet range radiation (metal, concrete walls...)
The receiver device must be located facing the product antenna. Please check your product's BLUENet antenna position.
Recommended connectivity distance: 10m - 15m
- E** El entorno tiene un impacto directo sobre el rango de radiación de BLUENet (metal, paredes de hormigón...)
El dispositivo receptor debe ubicarse frente a la antena del producto. Compruebe la posición de la antena BLUENet de su dispositivo.
Distancia de conectividad recomendada: 10m - 15m
- D** Die Umgebung hat einen direkten Einfluss auf die Reichweite der BLUENet Funkvernetzung (z.B. Metall, Betonwände etc.)
Das Empfangsgerät muss in Richtung der Produktantenne ausgerichtet sein. Bitte überprüfen Sie die Position der BLUENet Antenne Ihres Produkts. Empfohlener Abstand: 10 bis 15 Meter.
- F** L'environnement a un impact direct sur le rayonnement de la gamme BLUENet (métal, murs en béton...)
Le dispositif récepteur doit être placé face à l'antenne du produit. Veuillez vérifier la position de l'antenne BLUENet du produit.
Distance de connectivité maximale : 10m - 15m
- P** O ambiente tem um impacto direto na radiação da gama BLUENet (metal, paredes de betão...)
O dispositivo recetor deve ser colocado de frente para a antena do produto. Por favor, verifique a posição da antena BLUENet do seu produto. Distância de conetividade recomendada: 10m - 15m

Eng Signalling



LED MODE	LED COLOUR	STATUS INDICATION
Blink BLUE twice		Normal Power Up
Blink long BLUE		Software reset
Blink RED GREEN BLUE		Factory reset
Blink short BLUE		IQ2.0 firmware update
Blink short GREEN (2 minutes)		Until BLE connection is established
Blink long GREEN		BLE connection is established
Blink short RED		No connection to the cloud
Blink long PURPLE		Not valid subscription found Factory Mode