

# Installation guide

XS4 Original+ for USA mortise locks, cylindrical & tubular latches

**SALTO**  
inspired access

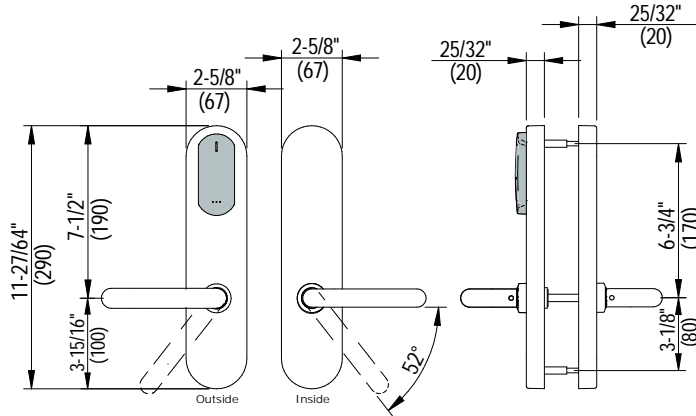
- Eng Installation guide
- F Guide d'installation
- E Guía de instalación

**BHMA**  
CERTIFIED

A156.25 grade 1  
Only with SALTO LA1T mortise lock.

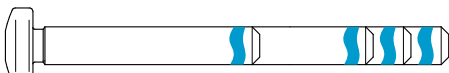


Only with UL listed SALTO mortise lock or latch

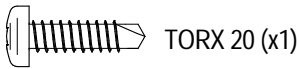


A i 650xx series

A i 6xx.. series		A i 6xx..E5 series	
OUTSIDE	INSIDE	OUTSIDE	INSIDE
IP54	IP44	IP56	IP44



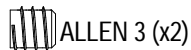
TORX 20 (x2)



TORX 20 (x1)



TORX 20 (x4)

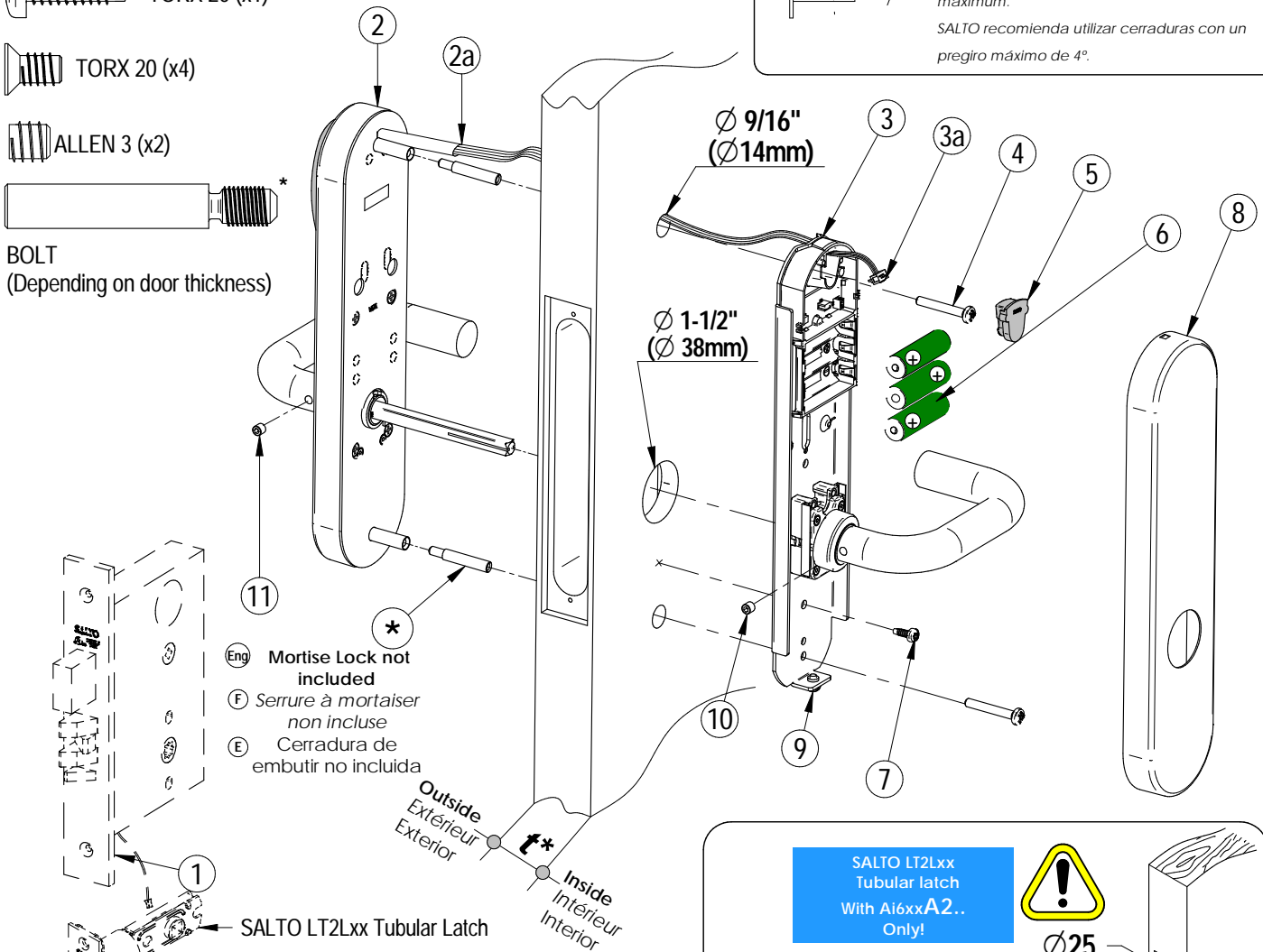


ALLEN 3 (x2)



BOLT  
(Depending on door thickness)

SALTO recommends the use of a mortise lock, with a maximum 4° pre-turn.  
SALTO recommande d'utiliser des serrures à mortaiser avec un angle au repos de 4° maximum.  
SALTO recomienda utilizar cerraduras con un pregiro máximo de 4°.



- Eng Mortise Lock not included
- F Serrure à mortaiser non incluse
- E Cerradura de embutir no incluida

"A2" version has to be installed always with the SALTO LT2L tubular latch.  
La versión "A2" solo se puede instalar con el picaporte tubular SALTO LT2L.

**SALTO LT2Lxx Tubular latch**  
With A16xxA2.. Only!

To be used only with SALTO compatible escutcheons!  
A utiliser uniquement avec les ensembles plaques-béquilles SALTO compatibles!  
¡Utilizar solamente con escudos SALTO compatibles!

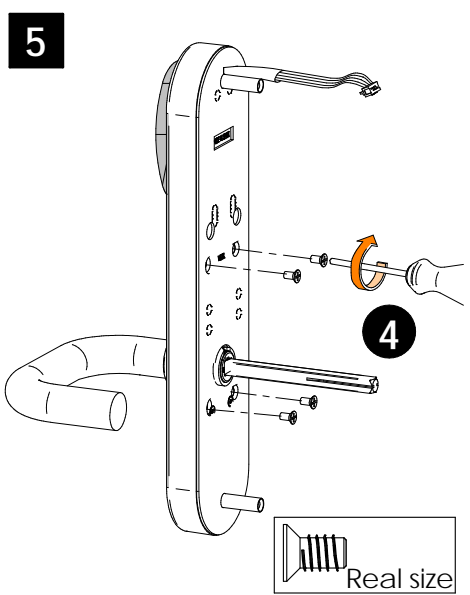
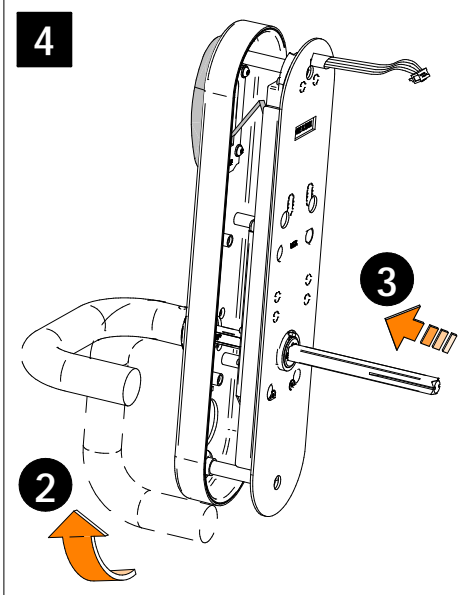
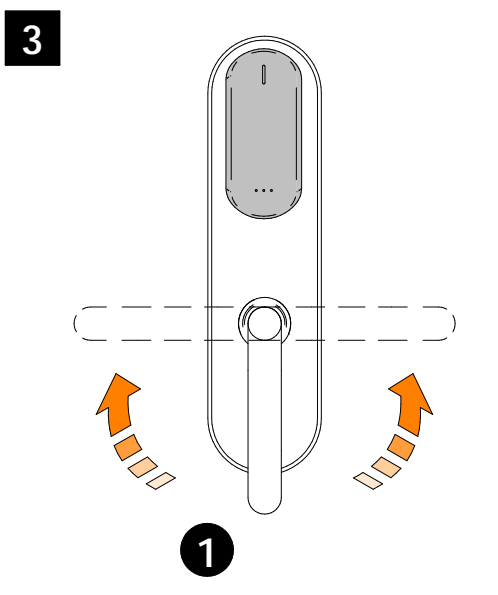
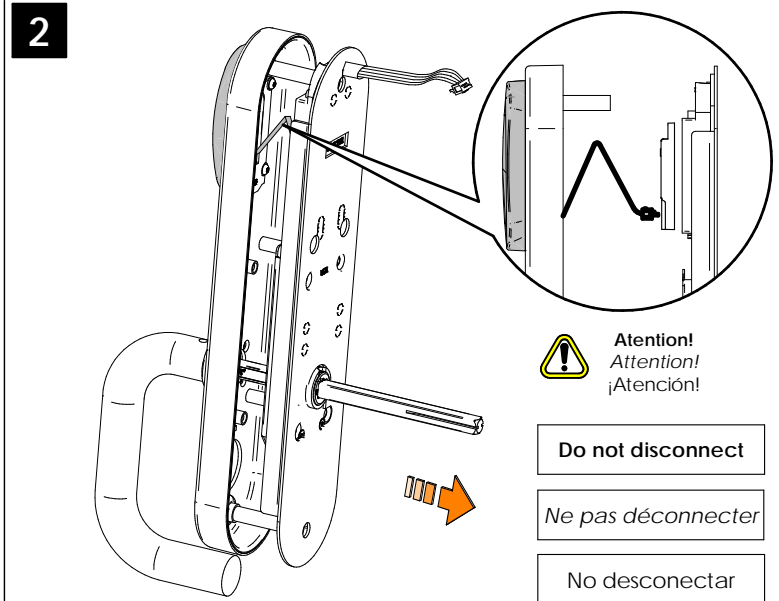
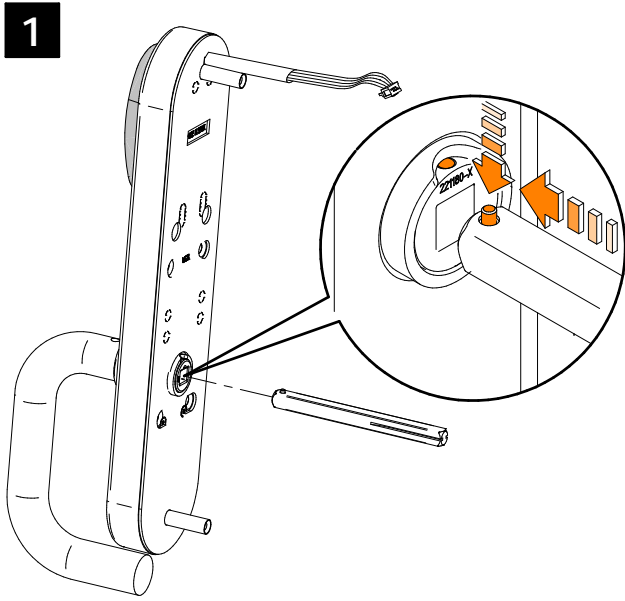
⚠️  
Ø25  
Ø1"

# Installation guide

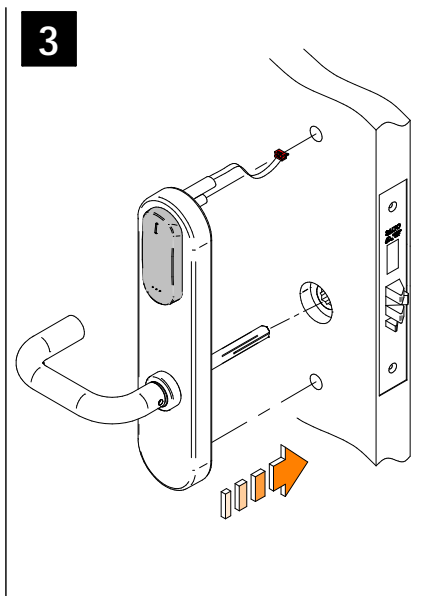
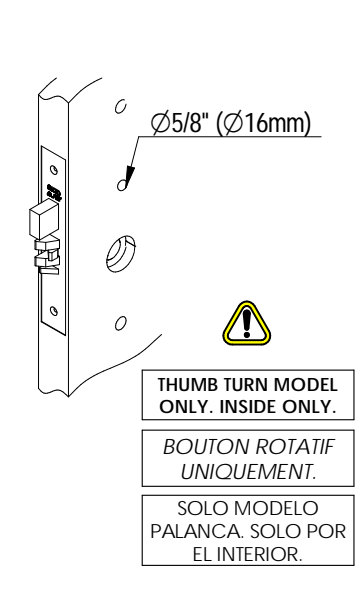
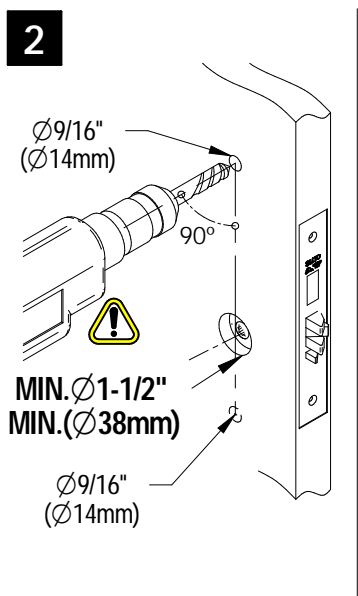
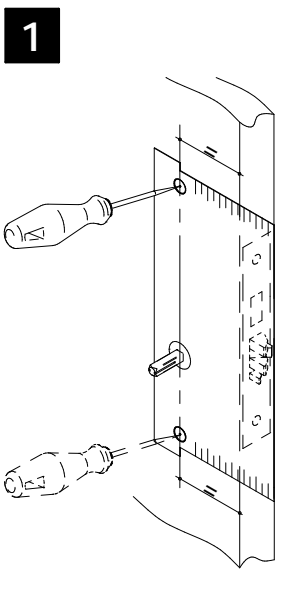
XS4 Original+ for USA mortise locks, cylindrical & tubular latches

**SALTO**  
inspired access

Eng Select handing (F) Choisir le sens de la bèveille (E) Seleccione mano



Eng Installation (F) Installation (E) Instalación



# Installation guide

XS4 Original+ for USA mortise locks, cylindrical & tubular latches

**SALTO**  
inspired access

**4**

**5**

Real size  
NOT OK

**6**

LR06

Real size

**7**

**8**

1

2

**9**

**10**

**⚠**

**AT THIS POINT DO NOT CLOSE THE DOOR PROGRAM THE LOCK FIRST**  
Follow user manual

**NE FERMEZ PAS LA PORTE. PROGRAMMEZ LA BÉQUILLE AVANT**  
Consultez le manuel utilisateur

**NO CIERRE LA PUERTA. PROGRAME LA CERRADURA**  
Consulte el manual del usuario

Real size

**Eng** Battery change  
**F** Remplacer les piles  
**E** Cambio de pilas

**LR06**

MAX. 40"

Change/Remplacer/Cambio

# Installation guide

XS4 Original+ for USA mortise locks, cylindrical & tubular latches

**SALTO**  
inspired access

