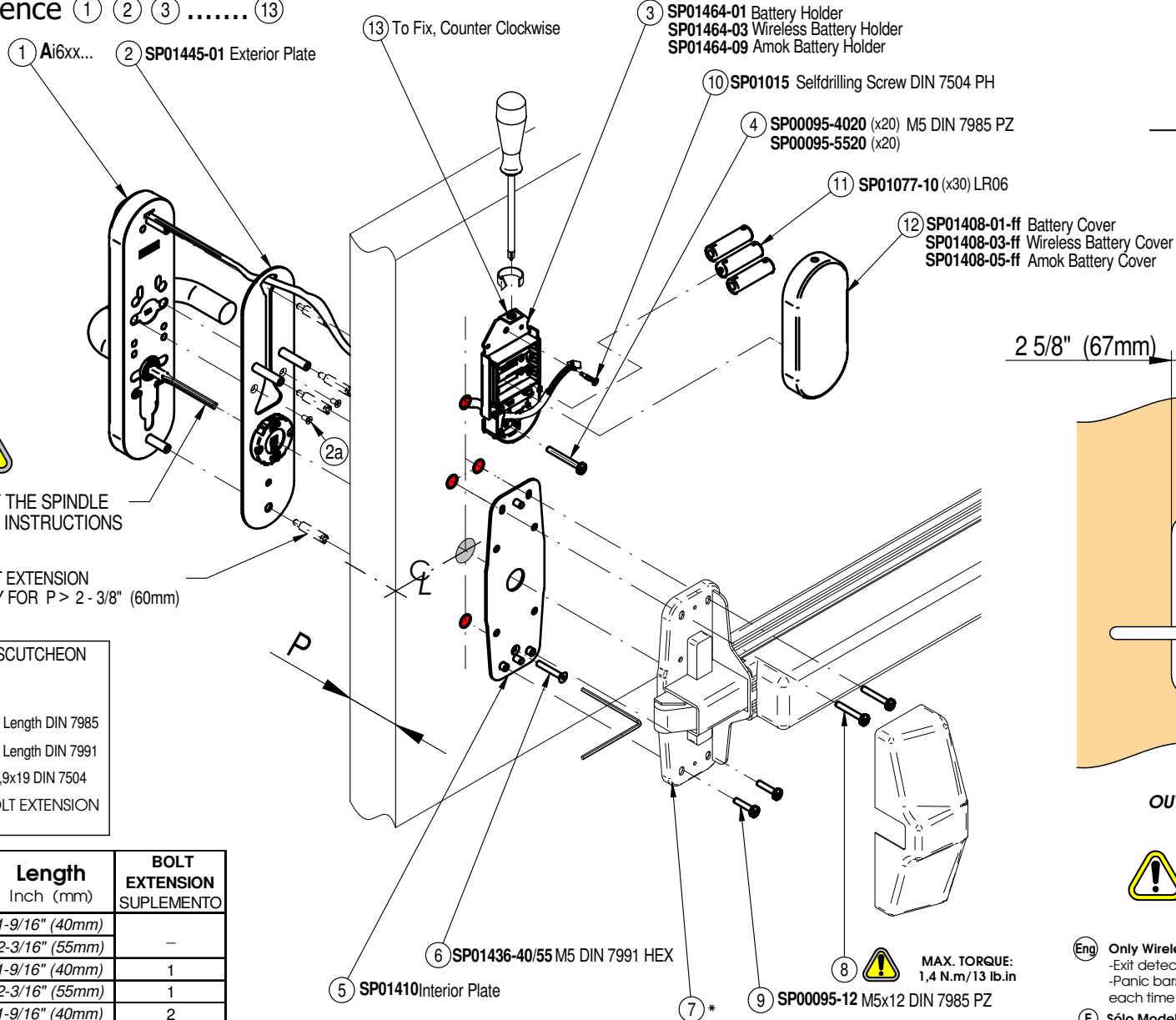


KPB03xx..

Adapter Kit For PBF 1100 Panic Bar Single Point

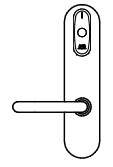
Installation Sequence ① ② ③ ⑬



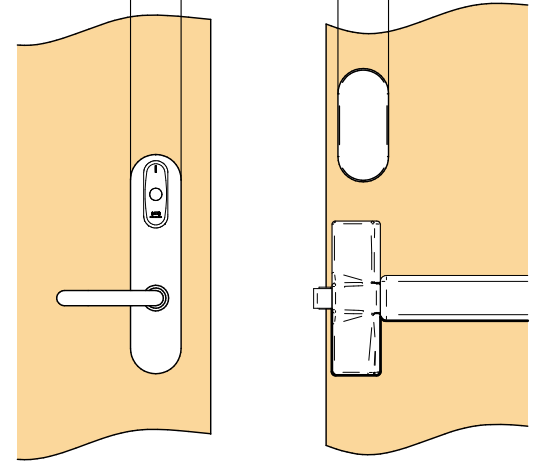
EXTERNAL ELECTRONIC ESCUTCHEONS

- Ⓔ COMPATIBLE MODELS
- Ⓔ MODELOS COMPATIBLES

Ai650m00ffH8-U
Ai660m00ffH8-U



2 5/8" (67mm) 2 5/8" (67mm)



OUTSIDE INSIDE



AT THIS POINT DO NOT CLOSE THE DOOR TEST THE LOCK FIRST

follow user manual

- Ⓔ **Only Wireless Models:**
 - Exit detection depending of the panic bar model.
 - Panic bars with no exit detection, will cause an intrusion alarm each time the door is opened from inside.
- Ⓔ **Sólo Modelos Wireless:**
 - La detección de salida depende del modelo de barra antipánico.
 - Barras antipánico sin detector de salida, pueden causar una alarma de intrusión cuando la puerta sea abierta desde el interior.

FOR ELECTRONIC ESCUTCHEON

Length	
	(3) M5 x Length DIN 7985
	(1) M5 x Length DIN 7991
	(1) Ø3,9x19 DIN 7504
	(?) BOLT EXTENSION

P Door Inch / Puerta (mm)	Length Inch (mm)	BOLT EXTENSION SUPLEMENTO
1-3/8" < 2" (35 < 51mm)	1-9/16" (40mm)	-
2-1/16" < 2-5/8" (52 < 66mm)	2-3/16" (55mm)	-
2-5/8" < 3-1/4" (67 < 82mm)	1-9/16" (40mm)	1
3-1/4" < 3-13/16" (82 < 97mm)	2-3/16" (55mm)	1
3-7/8" < 4-7/16" (98 < 113mm)	1-9/16" (40mm)	2
4-1/2" < 4-3/4" (114 < 120mm)	2-3/16" (55mm)	2

Ⓔ * SEE PBF 1100 PANIC BAR INSTALLATION INSTRUCTIONS

Ⓔ * MONTAJE BARRA ANTIPANICO PBF 1100 SEGUN INSTRUCCIONES DEL FABRICANTE

XS4 Original

Eng DOOR PREPARATION: 2 STEPS

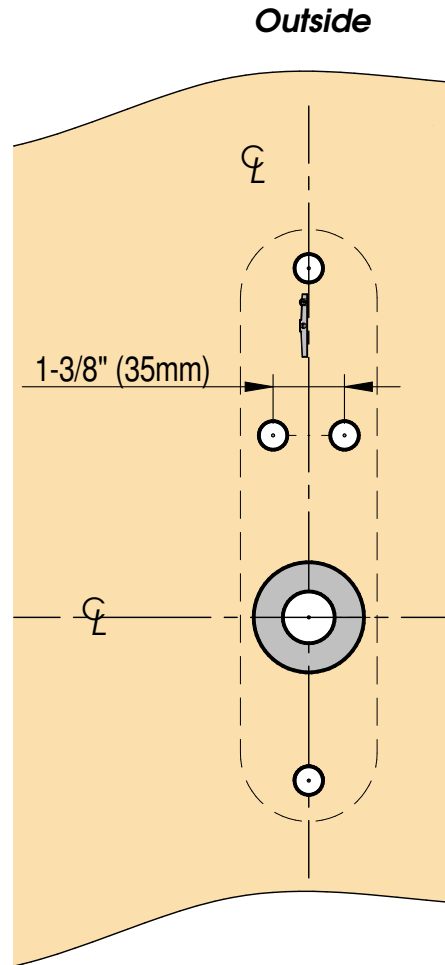
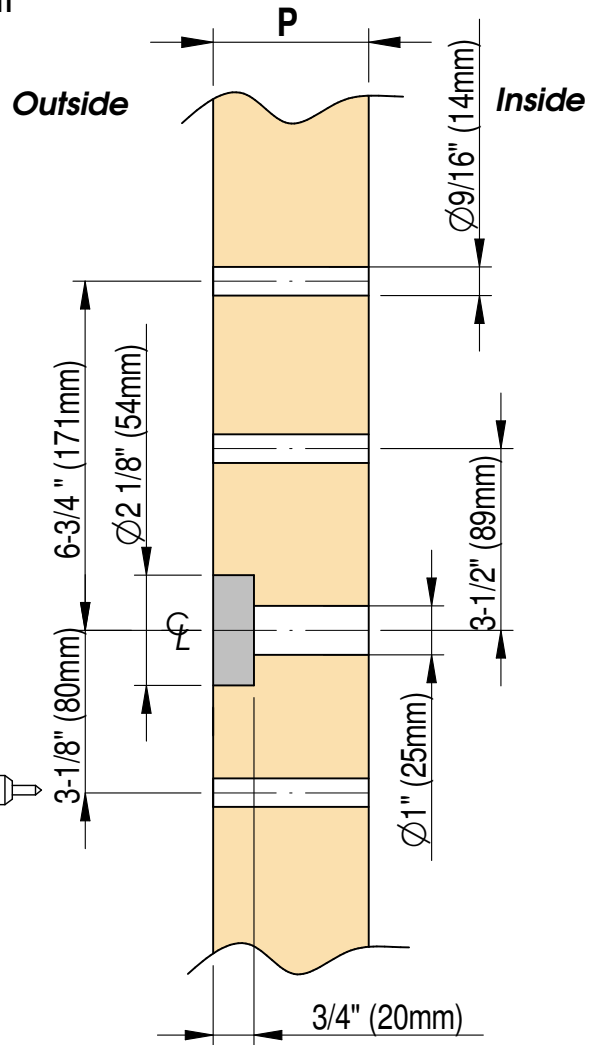
- ① -FOLLOW PBF 1100 DOOR PREPARATION INSTRUCTIONS
- ② -FOLLOW PRESENT SALTO DOOR PREPARATION SHEET INSTRUCTIONS FOR SALTO/PBF1100 ADAPTER KIT

E MECANIZADO DE PUERTA: 2 PASOS

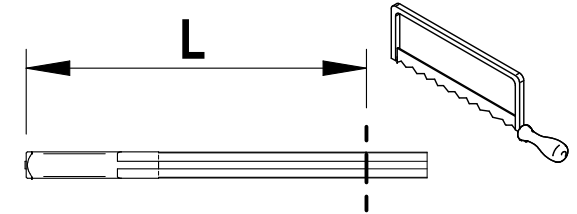
- ① -SIGA LAS INSTRUCCIONES DE PREPARACION DE PUERTA PBF 1100
- ② -SIGA LAS PRESENTES INSTRUCCIONES DE PREPARACION DE PUERTA PARA EL KIT DE ADAPTACION SALTO/PBF 1100

Eng Cutting the Spindle

- E** Corte del Cuadradillo



Spindle Length L



$$L = P + 25/32''$$

$$L = P + 20\text{mm}$$

Eng P= Door Thickness

E P= Espesor de Puerta

Eng * SEE PBF 1100 PANIC BAR
INSTALLATION INSTRUCTIONS

E * MONTAJE BARRA ANTIPANICO
PBF 1100 SEGUN
INSTRUCCIONES DEL FABRICANTE

XS4 Original

© 2018 SALTO Systems S.L.