

## DATASHEET

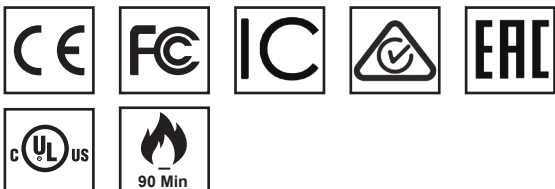
### Ælement by SALTO

The Ælement ANSI version is specially designed to fit on most ANSI A 156.13 doors. The minimalistic design of the RFID reader looks stylish and discreet on any door. It also offers the choice of a wide range of designs and finishes

[www.saltosystems.com](http://www.saltosystems.com)

### TECHNICAL SPECIFICATION: Ælement - ANSI (ÆExx)

**SALTO**  
inspired access



**TECHNICAL DATA:**

Reader dimensions (W x H x D):	45,0 x 67,0 x 17,5 mm 1-25/32" x 2-5/8" x 11/16"
Battery pack dimensions (W x H x D):	65,0 x 116,0 x 25,5 mm 2-9/16" x 4-9/16" x 1"
Handle rotation:	52° (LA1Tx7 mortise lock)
Door thicknesses:	45mm - 125mm
Square spindles:	8mm split (SALTO spindles required).
Power source:	3 alkaline batteries - LR03 - AAA 1,5V.
Number of openings:	50 000 MIFARE DESFire 45 000 Mobile keys
Temperature (without condensation):	0 °C / +60 °C.
IP class:	Not suitable for outdoor use.
Certifications:	CE, FCC/IC, RCM, EAR, UL10C 90 min, EN1634 EI60

**ID TECHNOLOGIES:**

MIFARE:*	•
BLE Smart:	•
NFC:	•
Legic:**	—
HID iClass®:	•
Picopass:	—
Hilton digital key	•
i-Button:	—

\* MIFARE® (DESFire EV2, Plus, Ultralight C, Classic - ISO/IEC 14443).  
\*\* Legic Prime and Legic Advant

**FINISHES:**

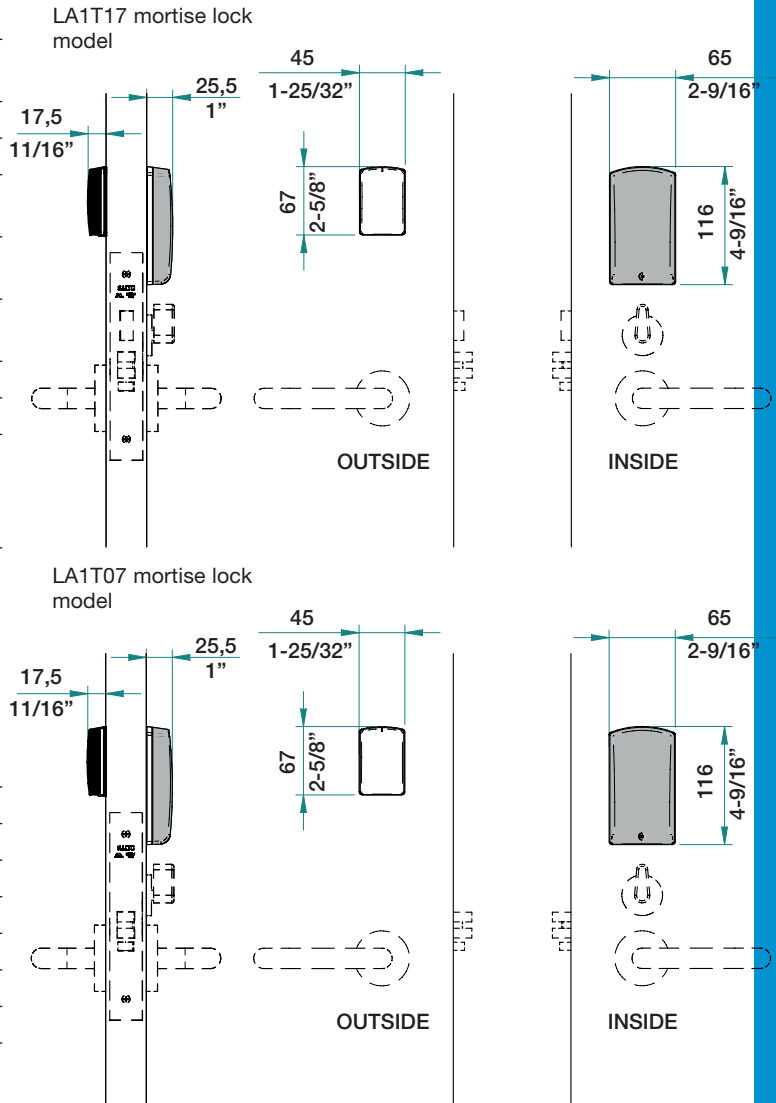
**Reader colour:**

Black:	•
White:	•

**Finish:**

IM Satin stainless steel:	• BHMA 630 / US 32D
IP Bright stainless steel:	• BHMA 625 / US 26
IA Antique brass:	• BHMA 735 / US 3
PP PVD bright brass type:	• BHMA 729 / US 4
PM PVD satin brass type:	• BHMA 730 / BHMA 731 / US4
NE Black chromium:	• BHMA 685
BC BioCote anti-microbial:	—

**TECHNICAL DRAWING:**



**TECHNOLOGY PLATFORMS:**

**SALTO SPACE:**

Smile - Selfprogrammable	—
ROM:	—
SVN data-on-card:	•
SALTO RFnet:	• *
SALTO BLUEnet:	• *

**SALTO KS:**

SALTO KS	—
----------	---

**SALLIS:**

SALLIS	• *
--------	-----

\* Depending on the model

**MECHANICAL DATA:**

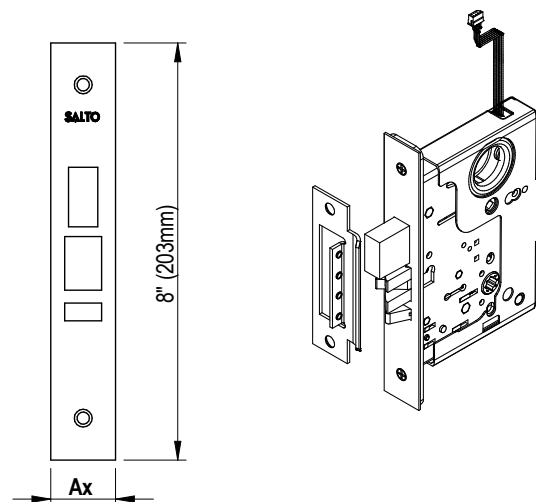
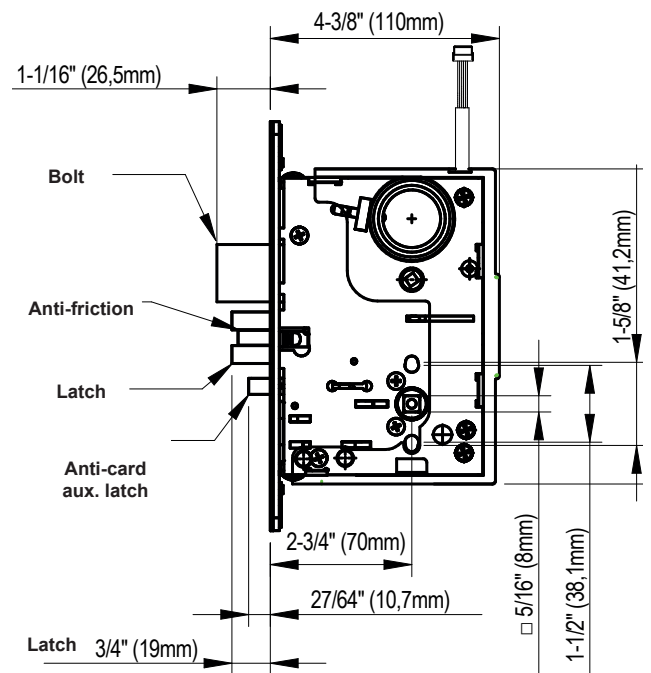
Handle block mechanism lock:	•
Mechanical privacy:	•
Mechanical key override:	•
Compatible with SALTO ANSI mortise lock standard.	• SALTO LA1T07 • SALTO LA1T17 • SALTO LA1T37
Reversible:	•
Door Accessories:	• Door handles and accessories.
Retrofit cover plate:	— New construction wood and metal doors.
Emergency opening via contactless Portable Programming Device (PPD).	•

**MORTISE LOCK (LA1T17):**

Mortise lock type:	Grade 1 ANSI mortise lock
Faceplate dimensions (H x W):	203mm (8") x 32mm (1-1/4") 203mm (8") x 27mm (1-1/16")
Faceplate shape	Squared
Handle rotation:	54°
Square spindles:	8mm (5/16")
Lock case material:	Stamped steel 3/32" zinc dichromate finish.
Latch material:	Stainless steel with antifriction latch 3/4" throw.
Deadbolt material:	Stainless steel full 1" throw.
Latch handing:	Reversible.
Auxiliary latch (anticard):	27/64" throw Effective deadlocking 3/8"
Built in detectors	Door detector
Mortise cylinder compatibility:	1-1/8"
Front plate finish:	IM Satin stainless steel: BHMA 630 / US 32D PM PVD satin brass type: BHMA 730 / BHMA 731 / US4
Mechanical key override:	•
Anti-panic safety function:	•
Auxiliary latch (anti card system)	•
Intelligent integrated door detector	•
Handle detector	•
Privacy detector	•
Override detector	•
Opened and closed status of doors through SALTO Wireless technology.	•
Certifications:	UL listed 90min. Meets ANSI/BHMA A 156.13 Grade 1 - Not certified

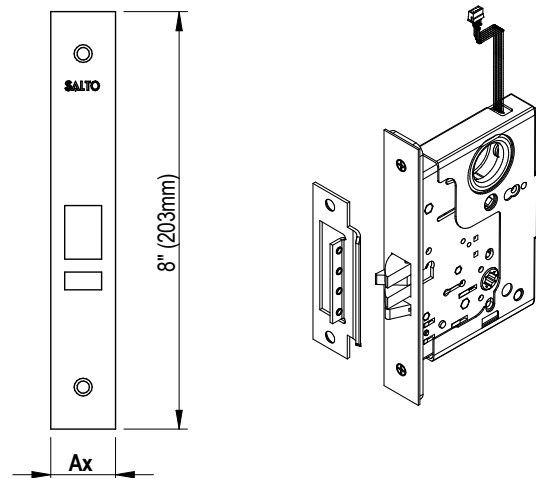
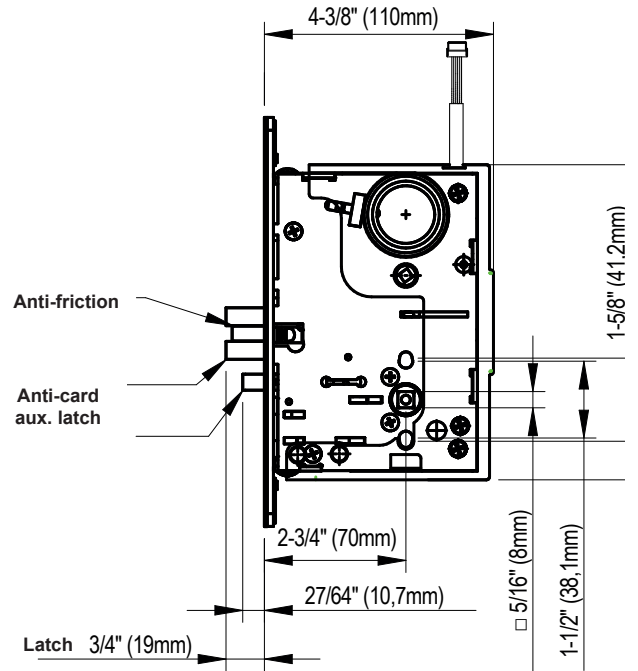
**OPENING MODES:**

Standard:	•
Office mode:	•
Timed office:	•
Automatic opening:	•
Toggle:	•
Timed Toggle:	•
Amok mode:	—
Exit leaves open mode:	•
Pin code / Keypad:	—



**MORTISE LOCK (LA1T07):**

Mortise lock type:	Grade 1 ANSI mortise lock
Faceplate dimensions (H x W):	203mm (8") x 32mm (1-1/4") 203mm (8") x 27mm (1-1/16")
Faceplate shape	Squared
Handle rotation:	54°
Square spindles:	8mm (5/16")
Lock case material:	Stamped steel 3/32" zinc dichromate finish.
Latch material:	Stainless steel with antifriction latch 3/4" throw.
Deadbolt material:	No deadbolt
Latch handing:	Reversible.
Auxiliary latch (anticard):	27/64" throw Effective deadlocking 3/8"
Built in detectors	Door detector
Mortise cylinder compatibility:	1-1/8"
Front plate finish:	IM Satin stainless steel: BHMA 630 / US 32D PM PVD satin brass type: BHMA 730 / BHMA 731 / US4
Mechanical key override:	•
Anti-panic safety function:	•
Auxiliary latch (anti card system)	•
Intelligent integrated door detector	•
Handle detector	•
Privacy detector	•
Override detector	•
Opened and closed status of doors through SALTO Wireless technology.	•
Certifications:	UL listed 90min. Meets ANSI/BHMA A 156.13 Grade 1 - Not certified



**MORTISE LOCK (LA1T37):**

Mortise lock type:	AUTOMATIC deadbolt lock
Faceplate dimensions (H x W):	203mm (8") x 32mm (1-1/4") 203mm (8") x 27mm (1-1/16")
Faceplate shape	Squared
Handle rotation:	54°
Square spindles:	8mm (5/16")
Lock case material:	Stamped steel 3/32" zinc dichromate finish.
Latch material:	Stainless steel with antifriction latch 3/4" throw.
Deadbolt material:	Stainless steel 1" throw with anti-saw pins.
Deadbolt type:	Noise reduction.
Latch handing:	Reversible.
Function:	Panic function - lever retracts deadbolt and latch simultaneously
Auxiliary latch (anticard):	27/64" throw Effective deadlocking 3/8"
Built in detectors	Door detector
Privacy:	Thumbturn operation
Mortise cylinder compatibility:	1-1/8"
Front plate finish:	IM Satin stainless steel: BHMA 630 / US 32D PM PVD satin brass type: BHMA 730 / BHMA 731 / US4
Mechanical key override:	•
Anti-panic safety function:	•
Auxiliary latch (anti card system)	•
Intelligent integrated door detector	•
Handle detector	•
Privacy detector	•
Override detector	•
Opened and closed status of doors through SALTO Wireless technology.	•
Certifications:	UL listed 90min. Meets ANSI/BHMA A 156.13 Grade 2 - Not certified

