

DATASHEET

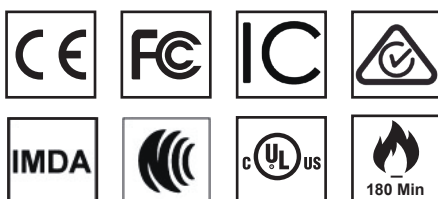
Ælement Fusion by SALTO

Ælement Fusion is an electronic lock with a sleek reader accentuated by an interactive light ring that illuminates when access credentials are presented, providing a minimalistic design that blends with any hotel décor. It also offers the choice of a wide range of designer lever handles and finishes.

www.saltosystems.com

TECHNICAL SPECIFICATIONS: Ælement Fusion - ANSI (AFxx)

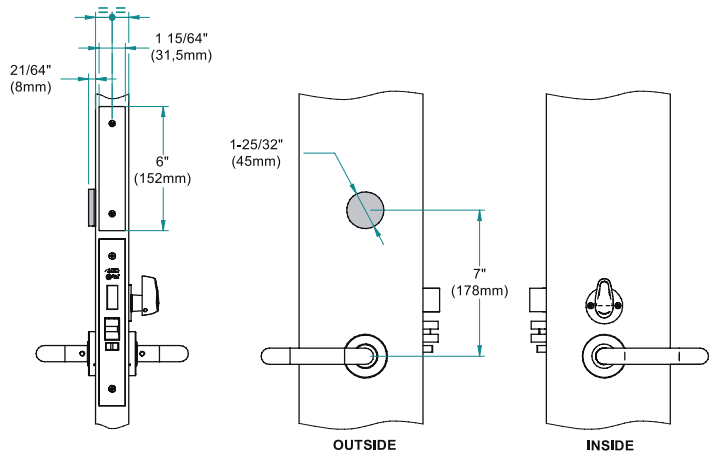
SALTO
inspired access



TECHNICAL DATA:

Reader dimensions (H x W x D):	45,0 x 45,0 x 8,0 mm
Faceplate dimensions (H x W):	152,0 x 31,5 mm
	152,0 x 27,0 mm
Handle rotation:	52°
Door thicknesses:	45mm - 125mm
Square spindles:	8mm split (SALTO spindles required).
Power source:	3 alkaline batteries - LR06 - AA 1,5V.
Number of openings:	130 000 MIFARE DESFire 100 000 Mobile keys 90 000 iCLASS®
Temperature (without condensation):	0 °C / +60 °C.
Number of events stored in lock memory:	2 250 (SVN standalone mode) 1 850 (SVN BLUEnet mode)
IP class:	Not suitable for outdoor use.
Certifications:	CE, FCC/IC, RCM, IMDA, NCC, UL10C 180 min, EN1634 EI60

TECHNICAL DRAWING:



ID TECHNOLOGIES:

MIFARE:*	•
Bluetooth LE:	•
NFC:	•
Legic:**	—
HID iClass®:	•
Picopass:	—
Hilton digital key	•
i-Button:	—

* MIFARE® (DESFire EV2, Plus, Ultralight C, Classic - ISO/IEC 14443).
** Legic Prime and Legic Advant

FINISHES:

Reader colour:

Black:	•
White:	•
Silver White:	•
Brass Colour	•

Faceplate finishes:

IM Satin stainless steel:	• BHMA 630 / US 32D
IP Bright stainless steel:	—
IA Antique brass:	—
PP PVD bright brass type:	—
PM PVD satin brass type:	• BHMA 730 / BHMA 731 / US4
NE Black chromium:	—
BC BioCote anti-microbial:	—

TECHNOLOGY PLATFORMS:

SALTO SPACE:

Smile - Selfprogrammable	—
ROM:	—
SVN data-on-card:	•
SALTO RFnet:	—
SALTO BLUEnet:	• *
SALLIS:	—

SALTO KS:

SALTO KS:	—
-----------	---

* BLUEnet communication on metal door may need to install more BLUEnet nodes or repeaters.

MECHANICAL DATA:

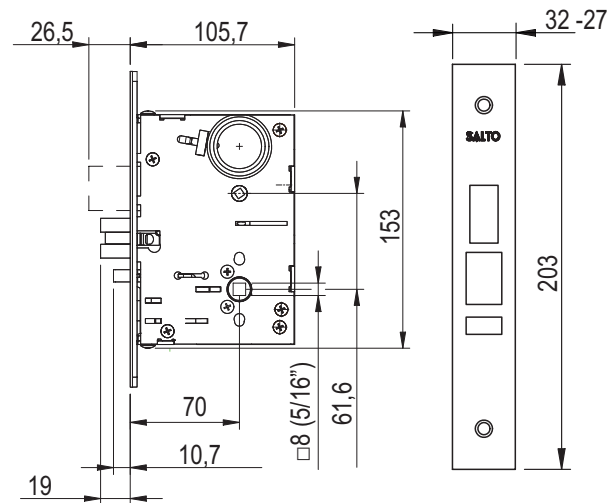
Handle block mechanism lock:	•
Mechanical privacy:	•
Electronic privacy:	—
Mechanical key override:	•
Compatible with ANSI mortise lock standard.	• SALTO LA1T17 • SALTO LA1T07 • SALTO LA1T37
Reversible:	•
Door Accessories:	• Door handles and accessories.
Retrofit cover plate:	— New construction wood and metal doors.
Emergency opening via contactless Portable Programming Device (PPD).	•

MORTISE LOCK (LA1T17):

Mortise lock type:	Grade 1 ANSI mortise lock
Faceplate dimensions (H x W):	203mm (8") x 32mm (1-1/4") 203mm (8") x 27mm (1-1/16")
Faceplate shape	Squared
Handle rotation:	54°
Square spindles:	8mm (5/16")
Lock case material:	Stamped steel 3/32" zinc dichromate finish.
Latch material:	Stainless steel with antifriction latch 3/4" throw.
Deadbolt material:	Stainless steel full 1" throw.
Latch handing:	Reversible.
Auxiliary latch (anticard):	27/64" throw Effective deadlocking 3/8"
Built in detectors	Door detector
Mortise cylinder compatibility:	1-1/8"
Front plate finish:	IM Satin stainless steel: BHMA 630 / US 32D PM PVD satin brass type: BHMA 730 / BHMA 731 / US4
Mechanical key override:	•
Anti-panic safety function:	•
Auxiliary latch (anti card system)	•
Intelligent integrated door detector	•
Handle detector	•
Privacy detector	•
Override detector	•
Opened and closed status of doors through SALTO Wireless technology.	•
Certifications:	UL listed 180min. Meets ANSI/BHMA A 156.13 Grade 1 - Not certified

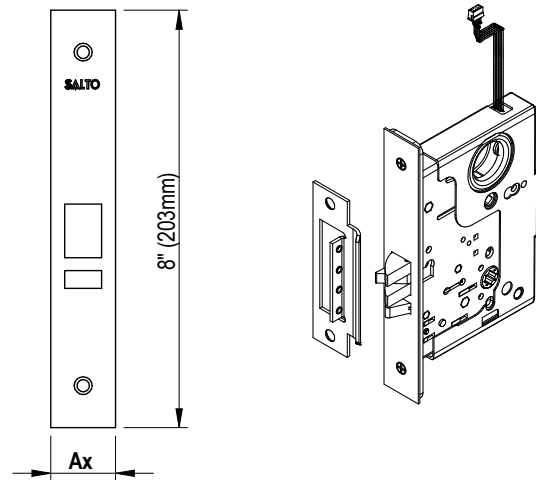
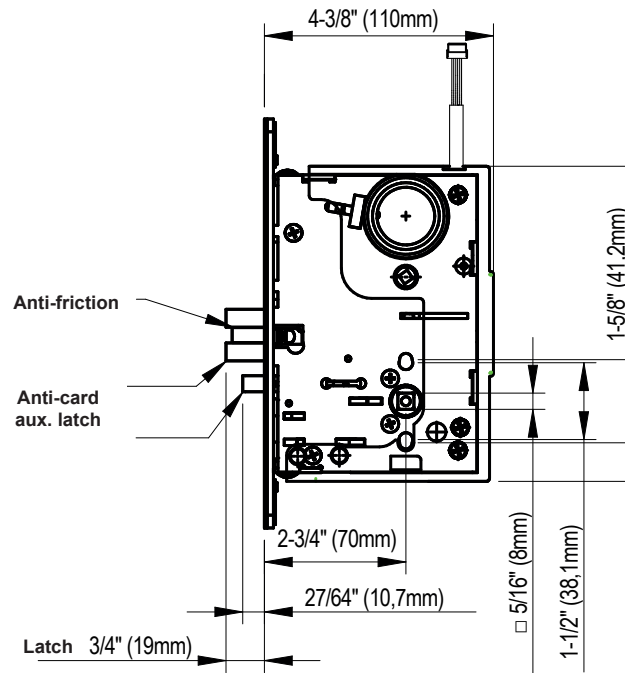
OPENING MODES:

Standard:	•
Office mode:	•
Timed office:	•
Automatic opening:	•
Toggle:	•
Timed Toggle:	•
Amok mode:	—
Exit leaves open mode:	•
Pin code / Keypad:	—



MORTISE LOCK (LA1T07):

Mortise lock type:	Grade 1 ANSI mortise lock
Faceplate dimensions (H x W):	203mm (8") x 32mm (1-1/4") 203mm (8") x 27mm (1-1/16")
Faceplate shape	Squared
Handle rotation:	54°
Square spindles:	8mm (5/16")
Lock case material:	Stamped steel 3/32" zinc dichromate finish.
Latch material:	Stainless steel with antifriction latch 3/4" throw.
Deadbolt material:	No deadbolt
Latch handing:	Reversible.
Auxiliary latch (anticard):	27/64" throw Effective deadlocking 3/8"
Built in detectors	Door detector
Mortise cylinder compatibility:	1-1/8"
Front plate finish:	IM Satin stainless steel: BHMA 630 / US 32D PM PVD satin brass type: BHMA 730 / BHMA 731 / US4
Mechanical key override:	•
Anti-panic safety function:	•
Auxiliary latch (anti card system)	•
Intelligent integrated door detector	•
Handle detector	•
Privacy detector	•
Override detector	•
Opened and closed status of doors through SALTO Wireless technology.	•
Certifications:	UL listed 180min. Meets ANSI/BHMA A 156.13 Grade 1 - Not certified



MORTISE LOCK (LA1T37):

Mortise lock type:	AUTOMATIC deadbolt lock
Faceplate dimensions (H x W):	203mm (8") x 32mm (1-1/4") 203mm (8") x 27mm (1-1/16")
Faceplate shape	Squared
Handle rotation:	54°
Square spindles:	8mm (5/16")
Lock case material:	Stamped steel 3/32" zinc dichromate finish.
Latch material:	Stainless steel with antifriction latch 3/4" throw.
Deadbolt material:	Stainless steel 1" throw with anti-saw pins.
Deadbolt type:	Noise reduction.
Latch handing:	Reversible.
Function:	Panic function - lever retracts deadbolt and latch simultaneously
Auxiliary latch (anticard):	27/64" throw Effective deadlocking 3/8"
Built in detectors	Door detector
Privacy:	Thumbturn operation
Mortise cylinder compatibility:	1-1/8"
Front plate finish:	IM Satin stainless steel: BHMA 630 / US 32D PM PVD satin brass type: BHMA 730 / US4
Mechanical key override:	•
Anti-panic safety function:	•
Auxiliary latch (anti card system)	•
Intelligent integrated door detector	•
Handle detector	•
Privacy detector	•
Override detector	•
Opened and closed status of doors through SALTO Wireless technology.	•
Certifications:	UL listed 180min with. Meets ANSI/BHMA A 156.13 Grade 2 - Not certified

