

DATASHEET

Door controllers by SALTO

SALTO offers a wide range of door controllers that enable the expansion of SALTO access control benefits to all those doors where a stand-alone electronic escutcheon cannot be fitted. The door controllers read encrypted data contained on the carrier and allow for updating of the carrier via SALTO Virtual Network technology, making it possible to cancel lost or stolen cards remotely.

www.saltosystems.com

TECHNICAL SPECIFICATIONS: AUXILIARY DOOR CONTROLLER - (CU4200)

SALTO
inspired access



TECHNICAL DATA:

Controller dimensions: (H x W x D)	131,0 x 104,0 x 43,3 mm
Housing dimensions: (H x W x D):	240,0 x 180,0 x 56,0 mm
Weight:	0,5 kg
Connection to the CU420E:	BUS RS485.
Connection to the wall reader:	4 twisted pair wires. Max. cable length between controller and wall reader is 250m), optional RJ45 adapter available.
Inputs:	6 inputs for door contact, office mode, push-button input for door opening as well as 1 tamper input and 1 sabotage button. Programmable via ProAccess SPACE.
Outputs	4 relay outputs, potential-free change-over contacts, max. Load capacity 2A, 30 VDC. Programmable via ProAccess SPACE.
Sabotage monitoring	Via input contacts (door open alarm and tamper alarm)
Power source:	12 VDC, 400 mA, via plug-in power supply. (without SALTO wall reader)
Maximum events on controller audit:	Max. 5,000 events (can be disabled)
Temperature (without condensation):	0 ° C to +60 ° C
IP class:	Not suitable for outdoor use.
Certifications: ²⁾	CE, FCC.

Additional information:

For use with the SALTO wall readers WRDxxx and WRMB004. Connection of 2 wall readers, which can either be used for different doors or for input / output control of a door. Anti-pass-back mode when connecting 2 wall readers for one door. Expansion modules can be connected via RS485. All communication with the CU42E0 is encrypted.

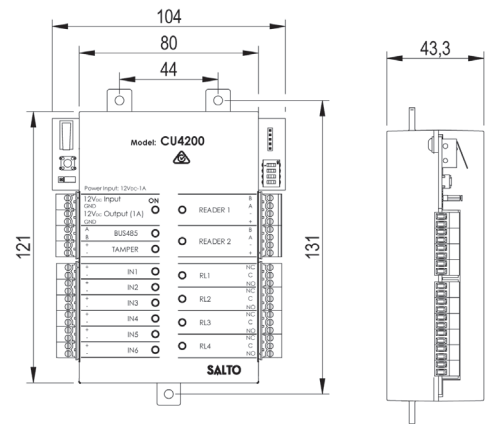
ACCESSORIES

Housing	Gray or transparent
SALTO input / output expansion unit - CU4EB8	Control of up to 128 outputs, e.g. for elevators

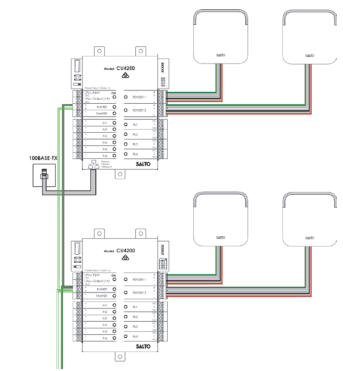
TECHNOLOGY PLATFORMS:

Smile - Selfprogrammable	—
ROM:	—
SVN data-on-card:	•
SALTO RFnet:	—
SALTO BLUEnet:	—
SALLIS:	—
SALTO KS:	—

TECHNICAL DRAWING:



CONNECTIONS:



HOUSING FINISHES:



OPENING MODES:

Standard	•
Standard Office / New Office	• / •
Timed office:	•
Automatic opening:	•
Toggle:	•
Timed Toggle:	•
Door code only:	•
Timed door code:	•
Card + PIN:	•
Timmed card + PIN:	•
Automatic opening + Office	•
Automatic opening + Toggle:	•
Automatic change:	•
Automatic change: (2 users activation)	•
Exit leaves opened:	—
Toggle + exit leaves opened:	—