

## DATASHEET

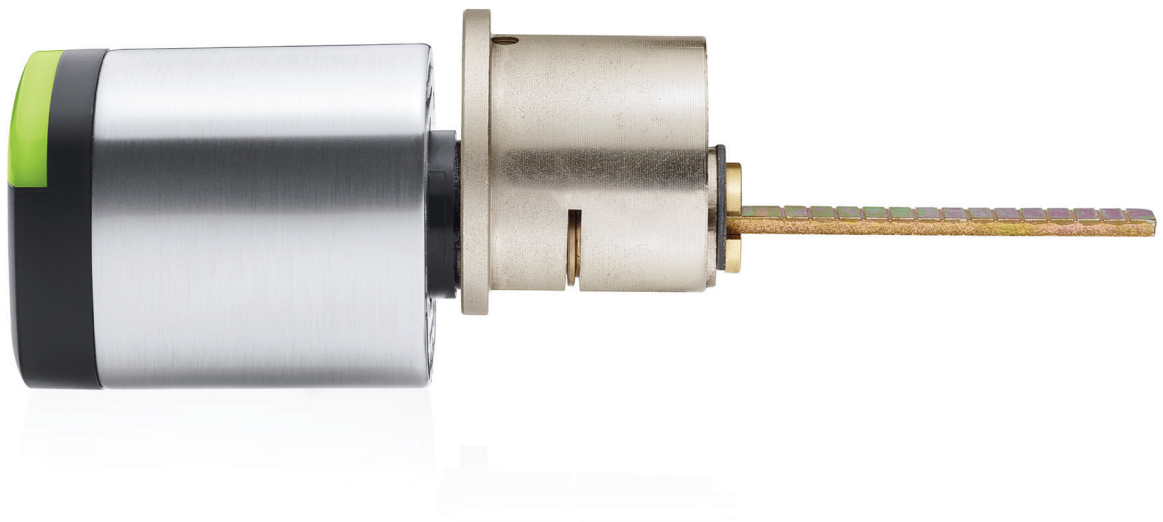
### SALTO NEO RIM US CYLINDER

Fully integrated with the SALTO SPACE and SALTO KS platforms, the SALTO Neo is a versatile, cost-effective electronic cylinder with a compact size that permits an easy installation, bringing the latest technology to your SALTO access control system.

[www.saltosystems.com](http://www.saltosystems.com)

**TECHNICAL SPECIFICATIONS:**  
**SALTO NEO RIM US CYLINDER**  
**FOR SALTO LD51 OR LD71 DEADBOLT SERIES. NxB3**

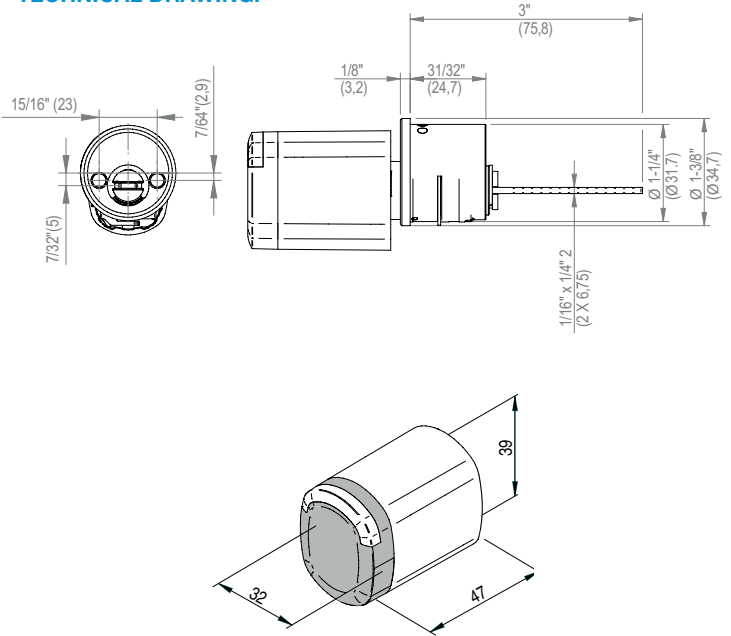
**SALTO**  
inspired access



**TECHNICAL DATA:**

Housing dimensions:	39mm x 47mm x 32mm
IP class:	Indoor version. Outdoor version IP66 (optional).
Certifications:	CE, FCC/IC, RCM, MIC, meet BHMA A156.5 standard
Power source:	4 LR1 alkaline batteries
Compatibility:	For SALTO LD51 or LD71 deadbolt series
Number of openings:	Up to 130.000
Maximum events on lock audit:	2 250 (SVN standalone mode) 1 850 (SVN BLUEnet mode) 1 450 (SALTO KS mode)
Environmental conditions (without condensation)	-20°C / +55°C

**TECHNICAL DRAWING:**



**ID TECHNOLOGIES:**

MIFARE:*	•
BLE Smart:	•
NFC:	•
Legic:**	—
HID iCLASS® Seos:	•
Picopass:	—
i-Button:	—

\* MIFARE® (DESFire EV2, Plus, Ultralight C, Classic - ISO/IEC 14443)  
 \*\* Legic Prime and Legic Advant

**OPENING MODES:**

Standard:	•
Office mode:	•
Timed office:	•
Automatic opening:	•
Automatic opening + office	•
Toggle:	•
Timed Toggle:	•
Amok mode:	—
Exit leaves open mode:	—

**TECHNOLOGY PLATFORMS:**

**SALTO SPACE:**

Smile - Selfprogrammable	—
ROM:	—
SVN data-on-card:	•
SALTO Wireless RFnet enabled:	—
SALTO Wireless BLUEnet enabled:	•

**SALTO KS:**

SALTO KS:	•
-----------	---

**SALTO SALLIS:**

SALLIS:	—
---------	---

**OPTIONS:**

**READER COLOUR:**

Black:	•
White:	•

**FINISHES:**

Satin chrome	•
Polished chrome	•
PVD bright brass type	•
PVD satin brass type	•
Satin chrome black	•
BioCote® (Satin chrome)	•

<sup>1</sup> depending on the programming mode