

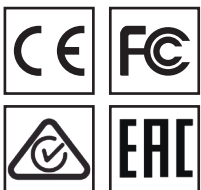
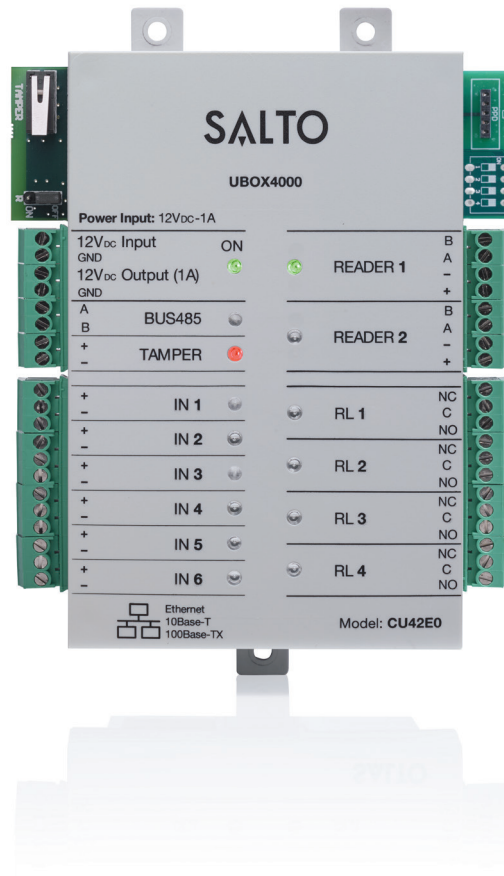
# DATASHEET

## UBOX4000 by SALTO

The UBOX4000 offers a compact solution updater kit based on a SALTO Controller and a Wall Reader that permits to integrate with third party products.

[www.saltosystems.com](http://www.saltosystems.com)

### TECHNICAL SPECIFICATIONS: UBOX4000



**TECHNICAL DATA:**

|  |                         |
|--|-------------------------|
| Housing dimensions controller (H x W x D): | 131,0 x 104,0 x 43,3 mm |
| Weight:                                    | 0,5 kg                  |
| Cover material:                            | PC+ABS                  |
| Certifications:                            | CE, FCC/IC, RCM, EAC*   |

\* Only for models "A", "E" & "S" with reading technology "B"

**ELECTRONIC FEATURES:**

|                     |                           |
|---------------------|---------------------------|
| Ethernet interface: | 10BASE-T/100BASE-TX       |
| DHCP Addressing:    | •                         |
| RFID communication: | •                         |
| Output interfaces:  | RS232<br>OMRON<br>WIEGAND |

**ID TECHNOLOGIES:**

|                |   |
|----------------|---|
| MIFARE:*       | • |
| Bluetooth®:    | • |
| NFC:           | • |
| Legic:**       | • |
| iClass® Seos™: | • |
| Picopass:      | — |

\* MIFARE® (DESFire EV2, Plus, Ultralight C, Classic - ISO/IEC 14443).  
 \*\* Legic Prime and Legic Advant

**TECHNOLOGY PLATFORMS:**

**SALTO SPACE:**

|                           |   |
|---------------------------|---|
| Smile - Selfprogrammable  | — |
| ROM:                      | — |
| SVN data-on-card:         | • |
| JustIN mobile NFC:        | • |
| JustIN mobile Bluetooth®: | • |

**SALTO KS:**

|           |   |
|-----------|---|
| SALTO KS: | — |
|-----------|---|

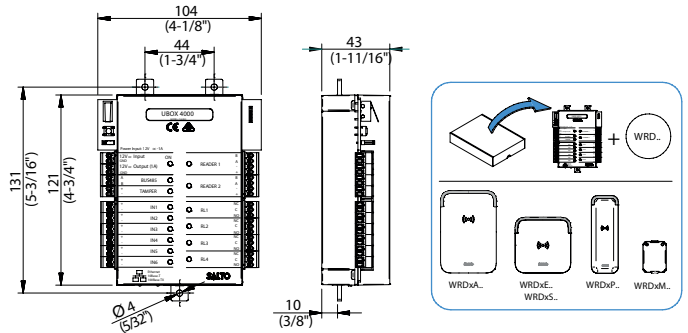
**SALTO SALLIS:**

|         |   |
|---------|---|
| SALLIS: | — |
|---------|---|

**READER COLOR:**

|        |   |
|--------|---|
| Black: | • |
| White: | • |

**TECHNICAL DRAWING:**



**ELECTRICAL CHARACTERISTICS:**

**Operations conditions:**

|                               | Min | Max | Unit |
|-------------------------------|-----|-----|------|
| Temperature (non condensing): | 0   | 60  | °C   |
| Humidity (non condensing):    | 35  | 85  | %    |

**Power consumption:**

|                     |              |
|---------------------|--------------|
| Power consumption*: | 12V DC 400mA |
|---------------------|--------------|

\* Without the Wall Reader