

//DATASHEET

SALTO Reader |

Cutting-edge design + Outstanding technology:

The SALTO Long Distance Reader is a complementary unit that connects to the XS4 2.0 online Controller to automatically identify users flows at long range.

LONG DISTANCE READERS WRLUD

SALTO
inspired**access**



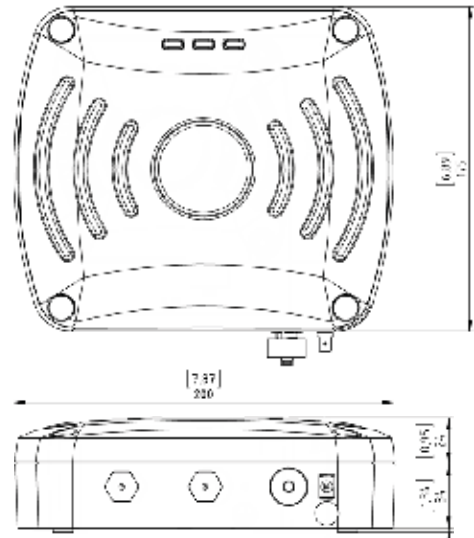
SALTO

READERS

LONG DISTANCE READER

The fast and reliable long range identification solution automatically identifies users flows in any weather conditions without having to present the card on the reader. The WRLUD24B reader is suitable for car parks, traffic management, free flowing vehicle access control and convenience in general as the carrier is read at a distance up to 7 meters. The WRLUD24B is fully integrated into the SALTO ProAccess SPACE system through the XS4 online controller.

MODEL WRLUD24B



MAIN CHARACTERISTICS:

- Housing Material made of ABS/PC, AI (powder-coated).
- UHF passive technology.
- Reading distance up to 7 meters.
- Wiegand connection to the CU42E0 (online version only).
- Needs WRLUD-SIC1 to communicate with the CU42E0 (sold separately).
- Unique user is managed in ProAccess SPACE (RFID/UHF).
- Suitable for vehicles access.
- Suitable for outdoor use (IP65).
- Current required 12VDC-24VDC (power supply not included).
- Connection with the door controller through a 4 pin connector using AWG24 twisted pair or AWG18 cable connection.
- Maximum distance between the door controller and the reader: 5m to 100m depending on the cable and the voltage.
- Antenna with beam width/polarization:
 - 90° circular.

Frequencies

- MHz 865 – 868 (EU)
- MHz 902 – 928 (US)
- MHz 916 – 921 (JP 4W E.I.R.P.)
- MHz 916 – 924 (JP 0.5W E.I.R.P.)

Connection to SALTO CU42E0 control unit

The WRLUD24Bxx uses the WRLUD-SIC1 converter to connect to the CU42E0 following the above drawing.
The long distance reader must be power supplied externally.

Credentials available:

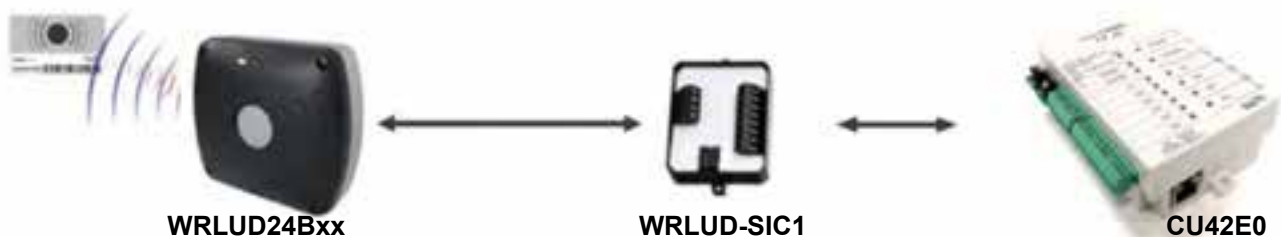
- Dual cards available
 - UHF+DESFire 8k (8 bytes printed code)
 - UHF+Mifare 4k (8 bytes printed code)
- UHF Windshield stickers
- UHF On metal sticks

Certifications

- Conformity:
 - EN 50346
 - EN 301489
- Air Interface (EU):
 - EN 302208 (DRM)
- Protection Class:
 - IP65

References

- WRLUD24BEU - European frequency compliant
- WRLUD24BUS - US frequency compliant



* Depending on the model.
** In process.

SALTO READERS

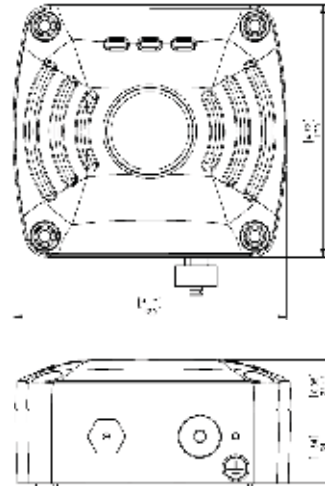
LONG DISTANCE READER

The WRLUD14B reader has a compact size reader and is suitable for car parks, traffic management, free flowing vehicle access control and convenience in general as the carrier is read at a distance up to 3 meters.

The fast and reliable long range identification solution automatically identifies users flows in any weather conditions without having to present the card on the reader.

The WRLUD14B is fully integrated into the SALTO ProAccess SPACE system through the XS4 online controller.

MODEL WRLUD14B



MAIN CHARACTERISTICS:

- Housing Material made of ABS/PC, AI (powder-coated).
- UHF passive technology.
- Reading distance up to 3 meters.
- Wiegand connection to the CU42E0 (online version only).
- Needs WRLUD-SIC1 to communicate with the CU42E0 (sold separately).
- Unique user is managed in ProAccess SPACE (RFID/UHF).
- Suitable for vehicles access.
- Suitable for outdoor use (IP65).
- Current required 12VDC-24VDC (power supply not included).
- Connection with the door controller through a 4 pin connector using AWG24 twisted pair or AWG18 cable connection.
- Maximum distance between the door controller and the reader: 5m to 100m depending on the cable and the voltage.
- Antenna with beam width/polarization:
 - 110° circular.

Frequencies

- MHz 865 – 868 (EU)
- MHz 902 – 928 (US)
- MHz 916 – 921 (JP 4W E.I.R.P.)
- MHz 916 – 924 (JP 0.5W E.I.R.P.)

Connection to SALTO CU42E0 control unit

The WRLUD14Bxx uses the WRLUD-SIC1 converter to connect to the CU42E0 following the above drawing.

The long distance reader must be power supplied externally.

Credentials available:

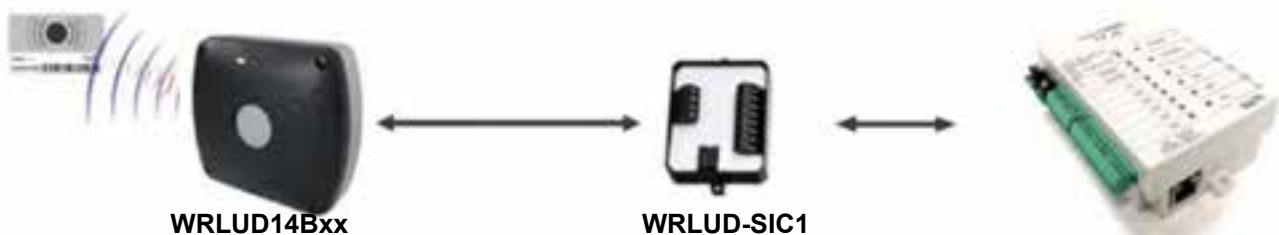
- Dual cards available
 - UHF+DESFire 8k (8 bytes printed code)
 - UHF+Mifare 4k (8 bytes printed code)
- UHF Windshield stickers
- UHF On metal sticks

Certifications

- Conformity:
 - EN 50346
 - EN 301489
- Air Interface (EU):
 - EN 302208 (DRM)
- Protection Class:
 - IP65

References

- WRLUD14BEU - European frequency compliant



SALTO READERS

LONG DISTANCE READER ACCESSORIES

-
The WRLUDx reader have a huge range of accessories in order to make easier

MODEL WRLUD-SIC1 - LONG DISTANCE READER SIC MODULE.

The long distance reader SIC module is a device used to convert the Wiegand signal in order to communicate the user authorization code to the SALTO CU42E0 controller.
It also has the function to transmit the electric signal to power the WRLUDx reader.

Additional information

Dimensions: 59mm x 41,5mm x 8mm (LxWxH)

Sold separately - Not included with the WRLUD14B or WRLUD24B



MODEL WRLUD-C10 - LONG DISTANCE READER 10 METERS CABLE.

SALTO offers the possibility to purchase a pre assembled 10 meters cable to connect the long distance reader to the WRLUD-SIC1 converter module. This cable includes the 4 pin connector to be directly connected onto the long distance reader (WRLUD14B or WRLUD24B).

Additional information

Sold separately - Not included with the WRLUD14B or WRLUD24B



MODEL WRLUD-4PC - LONG DISTANCE READER 4 PIN CONNECTOR.

The WRLUD-4PC is a 4 pin connector used to connect the cable that will transmit the information from the WRLUD-SIC1 converter module.

Additional information

To be used with AWG24 or AWG18 cables.

Included with the WRLUD14B or WRLUD24B.



MODEL WRLUD-MB1 - LONG DISTANCE READER MOUNTING BASE.

The WRLUD-MB1 is a mounting base to install the SALTO long distance reader on a surface. It is compatible with the WRLUD14B and WRLUD24 readers. It permits to adjust the orientation and position of the reader easily.

Additional information

Dimensions: 82mm x 59mm x 190mm (LxWxH)

Sold separately - Not included with the WRLUD14B or WRLUD24B

Does not include fixing screws. The appropriate screws need to be used depending on the material of the wall.



SALTO READERS LONG DISTANCE READER ACCESSORIES

The WRLUDx reader have a huge range of accessories in order to make easier

MODEL WRLUD-MBK1 - LONG DISTANCE READER MOUNTING SCREWS KIT.

The WRLUD-MBK1 kit is a kit that includes the mounting screws needed to install the long distance reader base WRLUD-MB1.

This kit includes:

- Screws (tipo de tornillos)
- Nuts
- Washers

Additional information

Sold separately - Not included with the WRLUD14B or WRLUD24B



MODEL WRLUD-SNG3 - USB TO RS485 CONVERTER

The WRLUD-SNG3 is an USB to RS485 converter. This converter should be used to set up the WRLUDx reader to a different configuration than the default one like changing the channels configuration, power of the reading signal, etc

This converter needs to be used in combination with the WRLUD-PS24 power supply converter (sold separately).

Additional information

Sold separately - Not included with the WRLUD14B or WRLUD24B



MODEL WRLUD-PS24 - 24V POWER SUPPLY FOR WRLUD-SNG3 CONVERTER

The WRLUD-PS24 is a power supply for the WRLUD-SNG3 converter. It is used to power the WRLUD-SNG3 converter if a different long distance reader set up (different to the default set up) is needed.

Additional information

Sold separately - Not included with the WRLUD14B or WRLUD24B



MODEL WRLUD-POC08 - POC-UHF FIELD DETECTOR

The wrlud-POC08 is a device that can be used during the installation to check the reading distance of the long distance reader.

It is a single led test tool to check the UHF signal.

Additional information

Sold separately - Not included with the WRLUD14B or WRLUD24B
May not be required on the installation.



SALTO READERS LONG DISTANCE READER ACCESSORIES

-
The WRLUDx reader have a huge range of accessories in order to make easier

MODEL WRLUD-4TT08 - SET OF 4 TEST TRANSPONDERS

Set of 4 cards test tool kit: 100% / 66% / 33% / "Test-Mode On" transponders.

Additional information

Sold separately - Not included with the WRLUD14B or WRLUD24B

