



SALTO Systems | PBA120

SALTO
inspired **access**



wireless 
IMPLEMENTED

MIFARE
DESFire



LEGIC
advant innovation in ID technology





SALTO XS4 PBA12020 panic bar

The new SALTO PBA12020 is a new mortise lock panic bar developed in partnership with the Italian manufacturer ANTIPANIC.

This new panic bar, in combination with SALTO electronic escutcheons and the KPB33, offers an economical solution for emergency exits that need to be controlled by a standalone electronic access control system.

EN1125 tested and approved, the PBA12020 is compatible with both SALTO data on card and SALTO wireless systems, providing full control of the door.

The SALTO PBA12020 is also available with a passive leaf panic bar for double emergency exit doors.

▶ About the SALTO E40 Escutcheon

▶ Main features and benefits

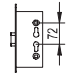


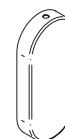
- Simple off-line installation is possible on any type of door, including those with narrow frames.
- ID technologies available: i-Button, DESfire, DESfire EV1, Mifare, Mifare plus, Vicinity, Inside Picopass, LEGIC prime, LEGIC advant, HID iCLASS.
- Available in wireless version for wireless real time control*.
- Choice of 40mm narrow or 67mm wide body handle set (depending on panic bar compatibility)**.
- Designed for use with the SALTO KPB33 and SALTO Mortise lock LE7A0165R40IMV.
- Suitable for door thicknesses of 32mm to 120mm.
- Concealed fixing screws for greater security and improved aesthetics.
- Available with mechanical override with audit trail facility.
- Detects and record on the audit trail openings from the inside.
- DDA (Disability Discrimination Act) compliant (depending on handle type).
- Emergency opening via portable programming device (PPD).
- Non volatile memory (memory is not deleted, even if power fails).

Panic bar kit compatibilities



- KPB33 or KPB33W required for adaptation with PBA12020 panic bar.
- This KPB33 exists in wireless version.
- 2 different finishes available satin stainless steel or polished stainless steel.
- Can be combined with Narrow body or wide body escutcheons.

Panic Bar	Mortise Lock Needed	Mortise Lock Drawing	Escutcheon Needed	Note
PBA120020 ANTIPANIC	LE7A0165R40fV		Ei450m7FffH9 Ei454m7FffH9 Ei460m7FffH9	Wireless Possible Only 7F Models
			Ei650m7FffH9 Ei654m7FffH9 Ei6E0m7FffH9	

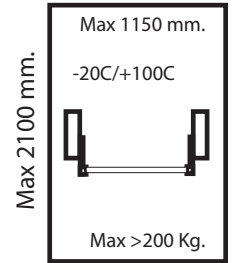
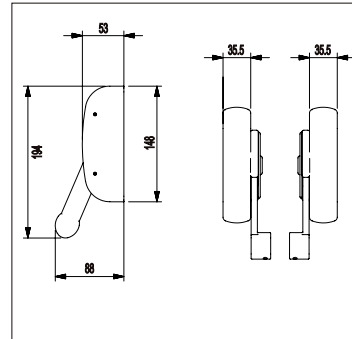


KPB33



► PBA1200 mechanical features

- Mortise panic device
- Length of the panic bar up to 1150mm.
- EN1125 certified.
- 3 different colour configurations:
 - Black mechanism and red bar (aluminium).
 - Black mechanism and green bar (aluminium).
 - Satin chromium mechanism and satin stainless steel bar.
- Handle turning angle: 20°.
- Door thickness compatible: 32mm to 115mm.



Black mechanism
green bar

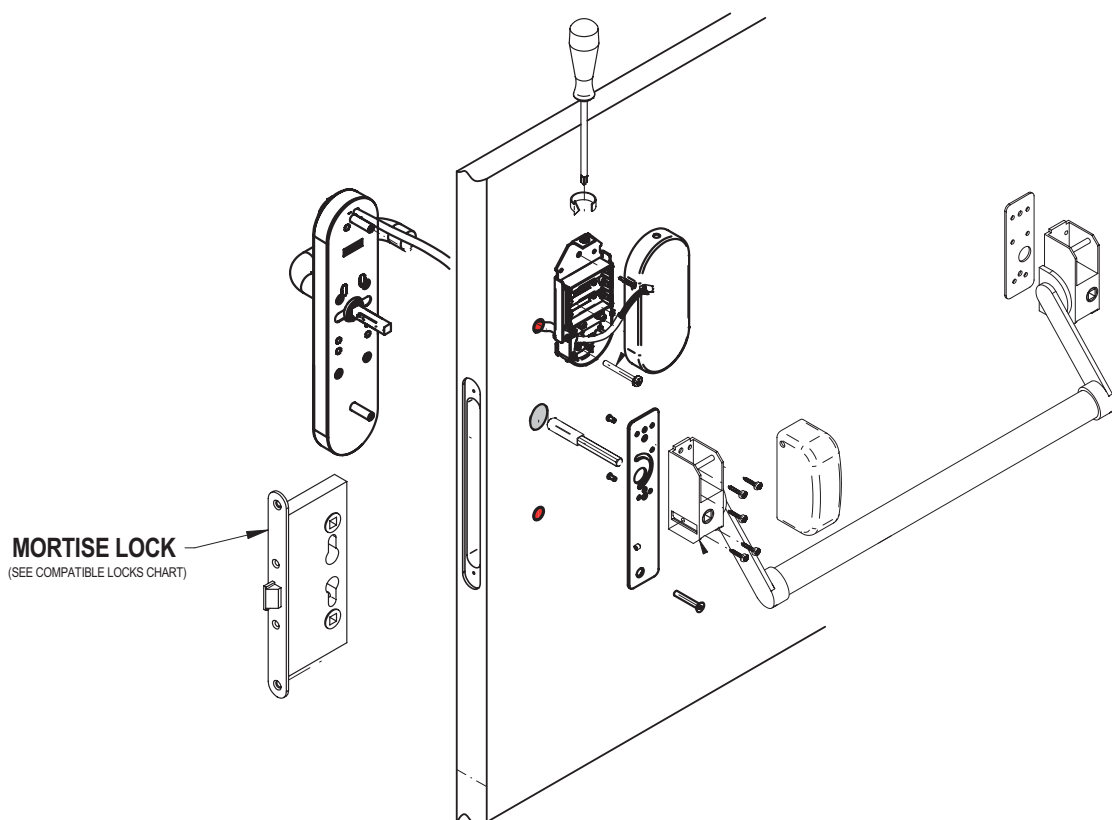


Black mechanism
red bar



Satin chromium
mechanism
and satin stainless
steel bar

► Instalation



MORTISE LOCK
(SEE COMPATIBLE LOCKS CHART)

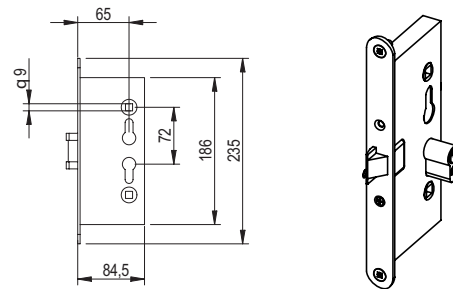
► About the SALTO LE7A0165R40IMV

The new SALTO LE7A0165R40IM is the mortise lock that must be used in combination with the PBA1200. EN1125 tested and approved in combination with the PBA1200, SALTO escutcheons and SALTO KPB33, this is the best choice to guarantee the correct operation of the emergency exit.

► Main features



- Mortise lock made of stainless steel.
- Type 7F.
- Reversible, no handing.
- Turning angle 20°.



► About the SALTO PBA1200 passive leaf kit

It's very common that emergency exits use 2 doors - one active leaf and one passive leaf. To ensure the correct solution is used in such a scenario, SALTO offers a complete set for both active and passive leaf doors.

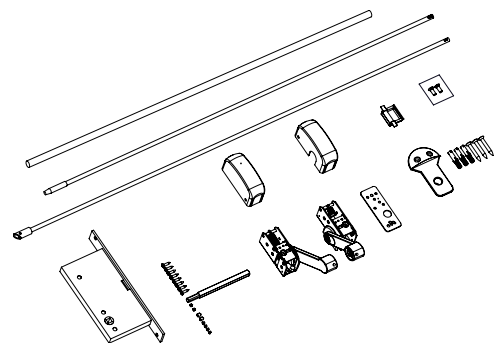
The set includes:

- The panic bar,
- The passive mortise lock
- The vertical rods* (vertical rods are installed on the inside of the passive leaf door and lock into the top of the door frame and the floor to secure the door when shut. Operating the panic bar releases the rods enabling the door to open).

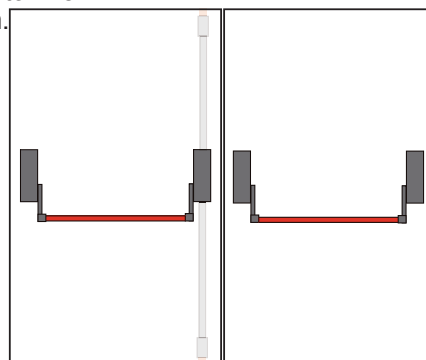
Main features



- Mortise lock made of stainless steel
- Type 7F
- Maximum high: 2100mm.
- Reversible, no handing.
- 3 different colours configuration:
 - Black mechanism and red bar.
 - Black mechanism and green bar
 - Satin chromium mechanism and satin stainless steel bar.
- Door thickness compatibility: 32mm to 115mm.
- Panic bar maximum length 1150mm.



Passive leaf
no need of electronic
escutcheon and KPB
REF: PBA1200



Active leaf
needs of PBA1200
panic bar electronic
escutcheon, KPB33 and
LE7A0165R40IM



Vertical rods are installed on the inside of the passive leaf door. The door needs to be prepared to install the rods



XS4 E40 narrow body version

SALTO Advanced panic bar solutions enable emergency exit doors equipped with panic bars to be controlled with an innovative stand alone electronic locking system.

SALTO stand alone electronic locks can be fitted, in combination with adaptor kits, to bring all the benefits of the more advanced standalone access control systems to emergency exits.

Compliant with EN1125 depending on the panic bar, the lock and the SALTO panic bar kit.

All the benefits of SALTO but for emergency exits.



▶ About the SALTO Electronic Escutcheon

▶ Concepts



Upgradable: You choose the level of security you need. From a **simple self programmable system** that needs no computer to manage it, through a highly capable **mid-range ROM system** up to the high performance data on card technology **SALTO Virtual Network (SVN)** system that allows you to control all the doors in an entire building or group of buildings from a single PC. And now with the brand new XS4 on-line battery operated **wireless lock system** you can experience real-time access control solutions without the need for wiring.

▶ Opening modes

- **Standard** (locked at all times).
- **Office** (free passage ability).
- **Timed Office** (free passage with automatic locking).
- **Automatic Opening** (8 pairs of "hands free" timed lock and unlocks per day with holidays).
- **Automatic Opening + Office**.
- **Toggle** (present card to lock, present card to unlock).
- **Timed Toggle** (automatic locking at end time).

▶ Access control features

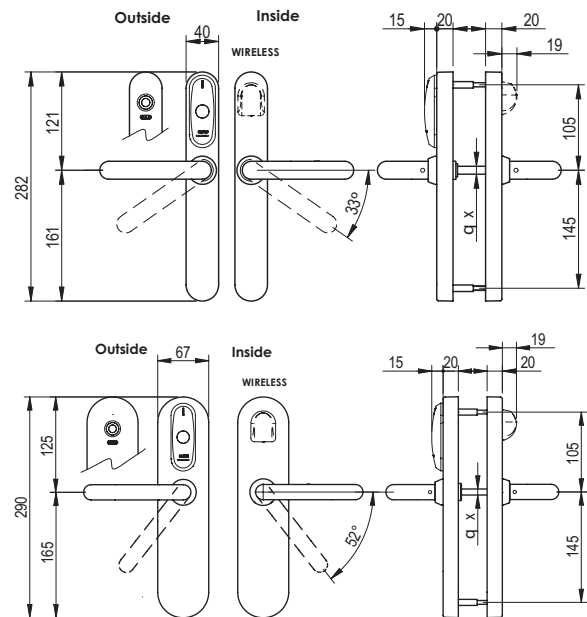


	Self programmable system	ROM system	RW system
Maximum number of users per system:	1000	1000	4 000 000
Maximum number of doors per system:	1000	64000	64000
Maximum events on lock audit:	-	1000	1000
Timezones:	-	30	256
Timeperiods:	-	20	256
Calendars in system:	-	4	256
Zones in system:	-	unlimited	unlimited
User groups:	-	unlimited	unlimited
Management:	Programming key and users key sets	Pro Access ROM software	Pro Access or HAMS software (available SQL versions) and MS. Service

▶ Mechanical features



- Door thickness compatibility 30mm to 115mm.
- Distance from the handle to the cylinder: 47mm to 110mm.
- Handle clutch mechanism.
- Inside always allows free egress (anti panic in combination with lock).
- Concealed fixing screws for greater security and improved aesthetics.
- Body and escutcheon made of steel.
- Handle fixed by Steady Fix system (patented).
- Handles compatible: 16mm Ø, 18mm Ø.
- High security through advanced hardened high resistance anti-drill plates to protect wires and reader area and additional extreme protection through hardened axes and floating steel balls in the handle area.



▶ Mortise lock & cylinder compatibility



- DIN Locks
(for compatibility with PBA12020 the LE7A0165R40IMV must be used)

▶ Squared spindles compatibility

- 9mm split

▶ Electronic features



- Wire free stand alone networked system though SVN technology*.
- Locks are connected to the system through the SALTO Virtual Network improving the security and efficiency of the system.
- Non volatile memory (is not deleted, even without power).
- Electronic privacy option through thumb turn or button on inside escutcheon. This blocks all the carriers from operating the lock, except management master keys which will always override this privacy mode to gain entry in cases of emergency.
- Escutcheons are equipped with a low consumption real time clock function, which allows time zones access planning and the use of 4 different calendars in ROM systems or 256 in R&W systems.
- Dual colour LED (green/red) to indicate lock authorization.
- Special blink indication when lock is in privacy mode.
- Possibility to enable/disable the acoustic signal.
- Power supply for the narrow body escutcheons: 3 alkaline LR03 AAA 1,5V. batteries optional FR03 lithium batteries.
- Power supply for the wide body escutcheons: 3 alkaline LR6 AA 1.5V. batteries optional FR6 - AA1.5V. lithium batteries.
- Battery autonomy up to 60 000 openings*.

*depending on the technology

▶ ID technologies

SALTO XS4 electronic escutcheons are available in i-Button and in different RFID technologies¹ (DESfire, DESfireEV1, Mifare, Mifare plus, Ultralight C, LEGIC Advant, LEGIC Prime, HID iCLASS®, Inside Picopass and SKIDATA allowing multi-application with third party systems using one card).



▶ Mifare DESfire features



Mifare RFID contactless technology reads and writes information to contactless smart cards (RFID) compatible with ISO 14443A, ISO 14443B and ISO 15693 standards, and as Mifare, Mifare plus, DESfire, DESfireEV1 technologies. They also allow for updating the carriers via SALTO Virtual Network (SVN) technology.

These SALTO electronic locks are compatible with NFC (Near Field Communication) technology, which allows NFC enabled cell phones to act as contactless data carriers to open and control SALTO access controlled doors.

- 13.56MHz contactless RFID identification.
- ISO 14443A, ISO 14443B and ISO 15693, Mifare, DESfire Compatible.
- Near Field Communication (NFC) compatible.
- Key card memories available: 1Kbyte, 4Kbytes and 8 Kbytes depending on technology.
- Key shape available: ISO 7810 cards, fobs, bracelets, stickers, watches...
- Reusable key cards.
- SALTO Virtual Network (SVN) compatible².
- RFID technology, there's a contactless exchange of information between the card and the reader.
- High security encrypted Proximity cards.
- Multi-application with other systems using the same card through shared sectors.
- Customized card issuing through the SALTO Authentication Media software (SAM).
- Waterproof cards, which can be customized.
- Scalable: selfprogrammable, ROM, RW systems available using the same hardware.

▶ HID iCLASS features



iCLASS® contactless technology from HID is RW identification technology based on 13.56 MHz read/write contactless smart card technology. iCLASS® offers enhanced security through encryption. This single-card, contactless solution permits multi-application with other systems, and with the SVN capabilities, you will acquire a lot of interesting new features for your property access control.

- 13.56MHz contactless RFID identification.
- ISO 14443B2 standard compliant.
- ISO 15693 standard compliant.
- Reusable key cards.
- SALTO Virtual Network (SVN) compatible².
- RW technology, there's a contactless exchange of information between the card and the reader.
- High security, by using password and encrypted Proximity cards.
- Multi-application with other systems using the same card through shared pages.
- Customized card issuing through the SALTO Authentication Media software (SAM).
- Waterproof cards, which can be customized
- Scalable: ROM, R&W systems available using the same hardware.

¹ All the technologies cannot be implemented in one escutcheon (one technology per escutcheon)

² Just available in the RW systems

LEGIC features



LEGIC Ident systems includes highly integrated LEGIC RF Standard and ISO 15693 and ISO 14443 compliant RW Chip Sets, Security Modules and Transponder Chips for integration into third party products. A very good option if you already use a LEGIC transponder system.

SALTO LEGIC electronic escutcheons are LEGIC Prime and advant compatible on the same device.

- 13.56MHz contactless RFID identification.
- Key card available: 256bytes (LEGIC Prime), 1024bytes (LEGIC Prime), 2Kbytes (LEGIC advant).
- Key shape available: ISO 7810 cards, fobs, bracelets, stickers, watches...
- Reusable key cards.
- SALTO Virtual Network (SVN) compatible.
- RW technology, there's a contactless exchange of information between the card and the reader.
- High security, by using password and encrypted Proximity cards.
- Multi-application with other systems using the same card through shared pages.
- Customized card issuing through the LEGIC SAM protocol.
- Waterproof cards, which can be customized.

Picopass features



Picopass is a family of contactless memory chips that support both ISO14443B and ISO 15693 proximity and vicinity protocols. It allows for updating of carriers via SALTO Virtual Net (SVN) technology, is simple to use and offers a range of options including multi-application with other systems using a picopass contactless card system.

- 13.56MHz contactless RFID identification.
- ISO 14443B proximity protocols for high speed communication range of 10 cm.
- ISO 15693 (Vicinity protocol) to operate at lower speeds over longer ranges.
- Reusable key cards.
- SALTO Virtual Network (SVN) compatible².
- RW technology, there's a contactless exchange of information between the card and the reader.
- High security, by using password and encrypted Proximity cards.
- Multi-application with other systems using the same card through shared pages.
- Customized card issuing through the SALTO Authorization Media software (SAM).
- Waterproof cards which can be customized.



Contactless key cards



Contactless fobs



Contactless bracelets



Contactless watches



NFC phones

Consult SALTO for carrier availability, not all the carriers are available for all the RFID Technologies above




i-Button Smile features 



The i-Button technology is a robust and ergonomic technology due to the design of the fob and the lock. Smart, secure and innovative, SMILE XS4 electronic handle sets need no hard wiring and provide a modern solution to the problem of lost keys or masterkeys. No software or computer is required for programming the SMILE handle sets.

- Access given through contact by electronic i-Button.
- Simple and intuitive use due to the smart design of the i-Button and the electronic lock reader.
- A red programming tag controls 1 or more SMILE locks in a system.
- Programming card and users cards are always supplied with a shadow card that can be stored securely and used to delete lost keys from a lock memory.
- Complete lock reset option.
- Handle sets can be programmed to be set in passage mode.
- Passage mode setting can be restricted to authorized users only.
- Extremely resistant system, suitable for all kind of environments.
- High security, by using password and encrypted i-Button fobs.
- i-Buttons can be customized by numeration.
- i-Buttons are waterproof.

i-Button ROM features 



The i-Button technology is a robust and ergonomic technology due to the design of the fob and the lock. This mid-range ROM system allows you to audit a large number of events in your locks.

- Access given through contact by electronic i-Button.
- Simple and intuitive use due to the smart design of the i-Button and the electronic lock reader.
- Extremely resistant system suitable for all kind of environments.
- Different sorts of i-Button fobs or bracelets available.
- Reusable keys.
- High security, by using password and encrypted i-Button fobs.
- i-Buttons can be customized by numeration.
- i-Buttons are waterproof.

i-Button RW features 



The i-Button technology is a robust and ergonomic technology due to the design of the fob and the lock. Compatible with data on card technology SALTO Virtual Network (SVN) system that allows you to control all the doors in an entire building or group of buildings from a single PC.

- Access given through contact by electronic i-Button.
- Simple and intuitive use due to the smart design of the i-Button and the electronic lock reader.
- Extremely resistant system suitable for all kind of environments.
- 512bytes or 2Kbytes i-Button fobs or bracelets available.
- Reusable keys
- SALTO Virtual Network (SVN) compatible.
- High security, by using password and encrypted i-Button fobs.
- i-Buttons can be customized by numeration.
- i-Buttons are waterproof.



▶ Wireless capabilities

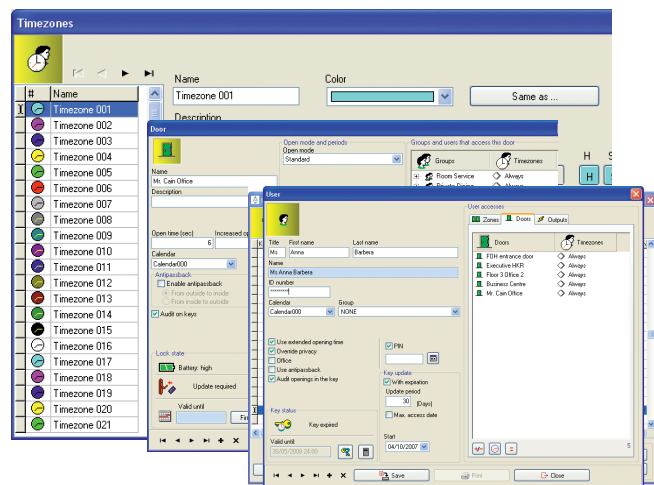


- Wireless Radio Frequency based on IEEE 802.15.4 at 2,4Ghz.
- AES 128bits encryption.
- Managed through Pro Access, HAMS SQL Software.
- SALTO Virtual Network technology backup. The escutcheon will continue working, granting access control via SVN technology backup if the wireless network fails or the PC is disconnected*.
- Real time audit trail: access granted, access denied, card expired.
- Real time door control: View door status in real-time.
- Reports, in real time, openings from the inside.
- On-line in real time key card cancellation.
- Real time battery control: Monitor battery maintenance by viewing the lock battery status in real time.
- Key management: Resolved in real time as the locks receive cancelled key updates as soon as they are generated.
- The wireless system is so efficient that battery power consumption is close to the standard SALTO battery powered electronic escutcheons.
- 1000 event audit trail back up if contact with the PC is lost.
- Not available in i-Button technology.

▶ RW Software features



- User friendly and powerful software.
- Managed through SALTO Pro Access or HAMS SQL database based software, (available in MS Service version).
- Up to 4 000 000 users.
- 64 000 doors.
- 256 calendars.
- 256 time periods.
- 256 time zones.
- Password protected operator's profiles.
- Large number of software features specially designed for the educational sector (lockdown, automatic key issuing, roll call, advanced filtering, export of the audit trail, database imports).



▶ Platform features



- Completely integrated in the SALTO Systems platform.
- Enables users to have standalone electronic cylinders, standalone electronic locks, standalone electronic glass door locks (SALTO wireless compatible), emergency exit devices (SALTO wireless compatible), locker locks and IP based on-line readers, all in the same system with SALTO Virtual Network capabilities, making it possible to update user card access plans on the fly.



*Depending on the model and system.

▶ Handles



Model U



Model S



Model W



Model H



Model P



Model B



Model G



Model L



Model J



Model T



Model Y



Model Z

REF. Y (May be installed on the external escutcheon when combined with a roller shutter)

▶ Certifications



- RF Certification: RF60 - EN1634
- EN Certification:
- EN 300330-1 V1.3.2 (2002-12)
- EN 301 489-1 (2002)
- EN 301 489-3 (2002)
- EN 60950
- EN 55022 (1994), class B
- EN 55024 (1998)
- EN 61000-6-1 (2001)
- EN 61000-6-2 (2001)
- EN 61000-4-2 (1995)
- EN 61000-4-3 (1995)
- IP 55 compliant (external escutcheon)
- UL10C

▶ Finishes



Satin stainless steel
IM



Polished stainless steel
IP

▶ Operating temperatures



External escutcheon: -20°C / 70°C
Inner escutcheon: 0°C / 70°C
 -20°C / 70°C (using FR03 AAA lithium batteries).

▶ About SALTO Systems:

Since its inception in 2001, SALTO Systems has grown to be the market leader in state-of-the-art electronic access control systems.

Recognising the need for a new access control concept, SALTO has developed a wide range of innovative products such as the SALTO Virtual Network and XS4 access control platform, while our electronic escutcheons, wall readers and on-line and off-line control units now control security access for a growing range of end users from Airports to Hospitals, Banks to Government Buildings and Universities to Hotels.

Our brand new HQ and high capacity manufacturing facility is fully equipped with the latest technology for JIT (Just in Time) manufacturing while substantial ongoing investment in a dedicated RD&I team (Research, Development and Innovation) enables us to stay at the cutting edge of modern mechanical, electronic and software design. This, together with ISO 9001:2008 and ISO 14001:2004 certification, ensures rigorous

quality management systems are in place to ensure the design, development and manufacturing of our electronic access control products always strive to achieve the highest possible standards of quality as required by you, our customers and for the environment.

Our distribution partner network now covers more than 70 countries to service international growth, and we have branch offices in Spain, UK, USA, Australia, Canada, Denmark, France, Finland, Germany, Holland, Mexico, Norway, Portugal, Singapore, Sweden and United Arab Emirates with more planned to open in other countries.

CONTACT:
 SALTO Systems HQ, Spain
 Polígono Lanbarren, C/ Arkotz, 9
 20180 Oiartzun, Spain

Tel.: +34 943 344 550
 info@saltosystems.com | www.saltosystems.com

SALTO
 inspired access

www.saltosystems.com

